



2/2-way Diaphragm Valve with stainless steel design, weld end or clamp connection, DN 4-50

- Hermetical separation of fluids from the operating mechanism by diaphragm
- Zero dead volume
- Various surface finishes
- Certified according to **FDA**
- Clean design for optimal use in hygienic environment

Type 2103 cast continuous can be combined with...



Type 8692/8693
Positioner/Process controller TopControl



Type 8694
Positioner TopControl Basic



Type 8696
TopControl Basic



Type 8792/8793
Positioner/Process Controller SideControl Remote



Type 8791
Positioner SideControl BASIC Remote

The externally piloted diaphragm valve type 2103 consists of a pneumatically operated piston actuator, a diaphragm and a 2-way valve housing made of cast stainless steel. The high-quality actuator with a stainless steel cover is designed for usage in hygienic or aggressive environments.

The flow optimised and zero dead volume valve body makes high flow rates possible and a variety of applications to be realised.

The design enables the easy integration of automation modules whether they are electrical/optical position feedback, pneumatic control units, an integrated fieldbus interface or even an explosion proof feedback.

The fully integrated system has a compact and smooth design, integrated pneumatic lines, IP65/67/NEMA4X protection class and superior chemical resistance.

Technical data	
Orifice	DN 4 to 50
Body material	Cast stainless steel 316L / 1.4435
Actuator material	Actuator: PPS Cover: Stainless steel 1.4561 (316Ti)
Diaphragm materials	EPDM (AB), PTFE/EPDM (EA) EPDM (AD), advanced PTFE/EPDM (EU) and FKM (FF) on request
Medium	For neutral gases and liquids, high purity, sterile, aggressive or abrasive fluids
Viscosity	Up to viscous
Surface finish	(average surface finish)
internal mechanical polished (external cast surface)	Ra ≤ 0.8 µm
internal electro polished (external cast surface electro polished)	Ra ≤ 0.6 µm (on request)
Medium temperature	EPDM (AB), PTFE/EPDM (EA): -10 to +130 °C (steam sterilisation +140 °C for 60min) EPDM (AD), advanced PTFE/EPDM (EU): -5 to +143 °C (steam sterilisation +150 °C for 60min) FKM (FF): 0 to +130 °C (not recommended for steam)
Ambient temperature	+5 to +60 °C
Control medium	Neutral gases, air
Max. pilot pressure	max. 10 bar; Actuator size 130 mm 7 bar

Content

Valve specifications		System Continuous ELEMENT		Request for quotation	
Type 2103 cast Continuous		Type 8802-DF		Type 8802-DF	
Technical data & ordering info.	p. 1-5	Ordering info. & technical data	p. 6-16		p. 17-18

Technical data valves, *continued*

Port connections Welded acc.	EN ISO 1127/ISO 4200, DIN 11850, SMS 3008 (on request)
Clamp acc. to Sterile threaded ports	DIN 32676, BS 4825, ISO 2852/SMS 3017 (on request) on request
Pilot air ports	Push-in connector for external Ø 6 mm or 1/4" tube, Thread G 1/8 (on request)
Installation	As required, preferably with actuator in upright position

Technical data valves

Kv-values

Orifice		Kv value water (m ³ /h)	Actuator size Ø [mm]	Permitted pilot pressure [bar]		Max. operating pressure [bar] for seal material	
[mm]	[inch]			min.	max.	EPDM, FKM [bar]	PTFE/EPDM and advanced PTFE/ EPDM [bar]
4	–	0,8	50	5	10	10	10
6	–	0,8	50	5	10	10	10
8	1/4"	1,0	50	5	10	10	10
10	3/8"	1,0	50	5	10	10	10
15	1/2"	5,5	70	5	10	10	10
20	3/4"	10,0	70	5	10	10	10
25	1"	14,0	70	5	10	6,5	6
			90	5,5	10	10	8
40	1 1/2"	30,0	130	5	7	10	10
50	2"	51,5	130	5	7	8	7

Flow rate: Kv-value water (m³/h)

Measured at +20 °C, 1 bar pressure at valve inlet and free outlet

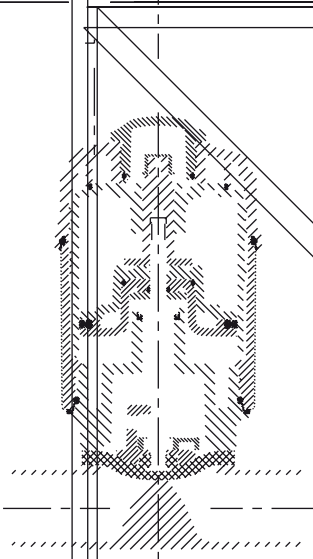
Pressure values (bar)

Measured as overpressure to the atmospheric pressure

Installation for self-draining operation

$\alpha = 15$ up to 35° (Marking must face upwards, 12 o'clock position)
plus 3° to 5° inclination to the pipe axis.
Drain marks permanently marked on both sides of the valve body
show the correct mounting position to optimise drain ability.

Materials



Ground terminal	Stainless steel 1.4301/1.4305 <i>Only for the ATEX version</i>
Optical position indicator	Transparent cap polysulfone PSU
Pilot air ports	Push-in connector PP (standard) <i>On request: Thread G1/8" stainless steel 1.4305</i>
Actuator	PPS
Cover	Stainless steel 1.4561 (316Ti)
Piston seal	FKM
Diaphragm	EPDM (AB), PTFE/EPDM (EA) EPDM (AD), advanced PTFE/EPDM (EU) and FKM (FF) on request
Valve body	Cast stainless steel 316L/1.4435

Approvals/certifications

Suitability for foodstuffs / sterile applications



The composition of the EPDM (AB), EPDM (AD), PTFE/EPDM (EA) and advanced PTFE (EU) diaphragms corresponds to the Code of Federal Regulations, published by the FDA (Food and Drug Administration, USA).



The composition of the EPDM (AB), EPDM (AD), PTFE/EPDM (EA) and advanced PTFE (EU) diaphragms is suitable for the application with food and beverage (acc. to EC-Regulation 1935/2004/EC)

The composition of the EPDM (AB), EPDM (AD), PTFE/EPDM (EA) und advanced PTFE (EU) diaphragms are approved acc. USP Class VI

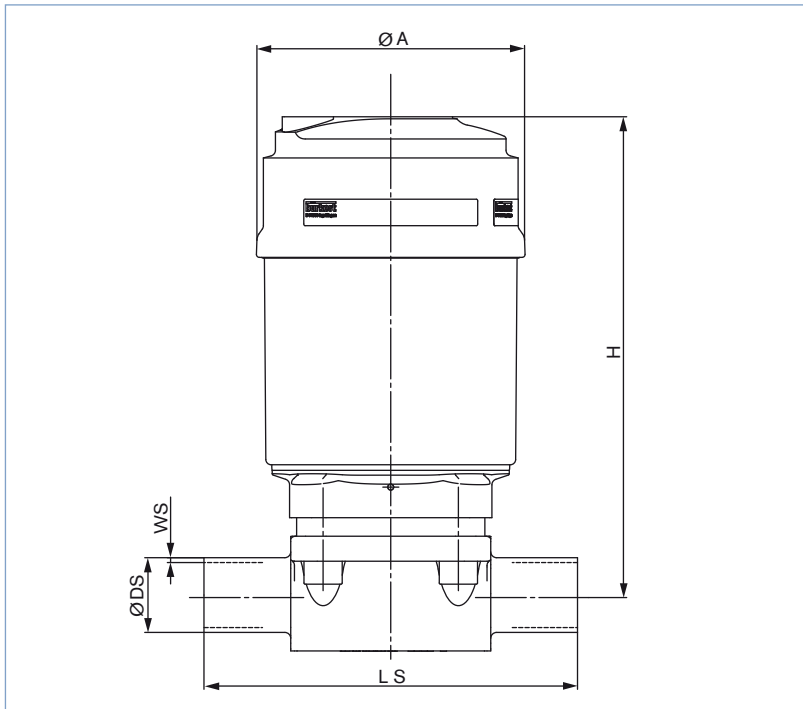
Approval according to TA-air (Port size DN4-50)



The Diaphragm valve according to 3-A approved on request (3-A Sanitary Standards Administrative Council)

Dimensions Type 2103 cast diaphragm valve [mm]

Welded connection



EN ISO 1127/ISO 4200, DIN 11850 R2

Orifice		Actuator size Ø	Ø A	H	LS	EN ISO 1127/ ISO 4200		DIN 11850 Series 2	
[mm]	[inch]					Ø DS	WS	Ø DS	WS
8	1/4"	50	64,5	119	90	13,5	1,6	–	–
10	3/8"	50	64,5	119	90	17,2	1,6	13	1,5
15	1/2"	70	91	150	110	21,3	1,6	19	1,5
20	3/4"	70	91	160	119	26,9	1,6	23	1,5
		70	91	163	129	33,7	2,0	29	1,5
40	1 1/2"	130	159	277	161	48,3	2,0	41	1,5
		130	159	300	192	60,3	2,0	53	1,5

DIN 11850 R0

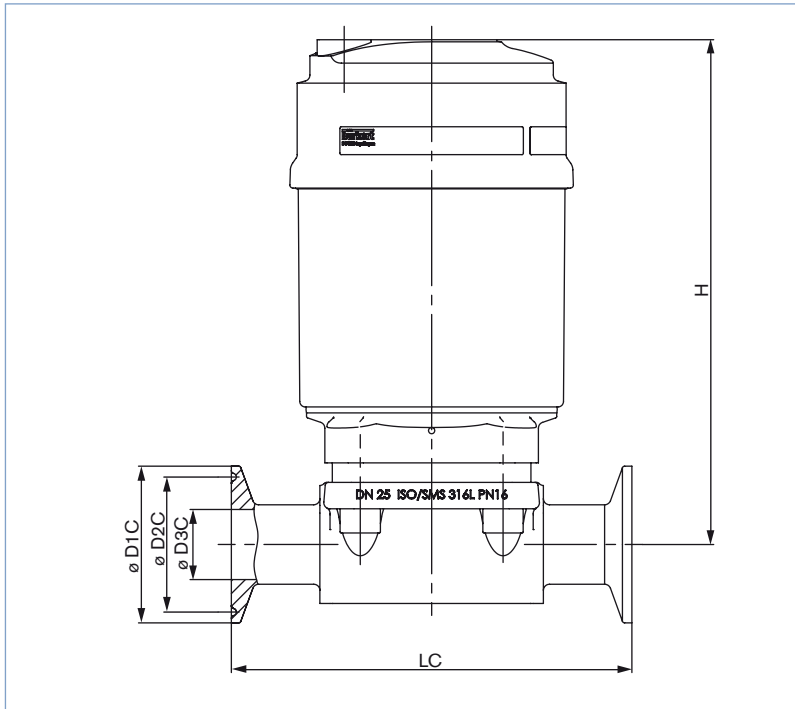
Orifice	Actuator size Ø	Ø A	H	LS	Ø DS	WS
[mm]	[mm]					
4	50	64,5	119	90	6,0	1,0
6	50	64,5	119	90	8,0	1,0

On request: SMS 3008

Orifice	Actuator size Ø	Ø A	H	LS	Ø DS	WS
[mm]	[inch]					
25	1"	70	91	163	129	25
		90	120	196	129	25
40	1 1/2"	130	159	277	161	38
50	2"	130	159	300	192	51

Dimensions Type 2103 cast diaphragm valve [mm], continued

Clamp connection



DIN 32676 and ISO 2852-SMS 3017 (on request)

Orifice		Actuator size Ø [mm]	H	LC	ØD1C	ØD2C	ØD3C	DIN 32676	ISO 2852-SMS 3017
[mm]	[inch]								
15	1/2"	70	150	110	34	27,5	16	-	
20	3/4"	70	160	119	34	27,5	20	-	
25	1"	70	163	129	50,5	43,5	26	22,6	
		90	196	129	50,5	43,5	26	22,6	
40	1 1/2"	130	277	161	50,5	43,5	38	35,6	
50	2"	130	300	192	64	56,5	50	48,6	

BS 4825

Orifice		Actuator size Ø [mm]	H	BS 4825				
[mm]	[inch]			LC	ØD1C	ØD2C	ØD3C	
8	1/4"	50	119	89	25	20,22	7,1	
10	3/8"	50	119	89	25	20,22	10,3	
15	3/4"	70	150	102	25	20,22	16,65	
25	1"	70	163	114	50,5	43,5	22,2	
		90	196	114	50,5	43,5	22,2	
40	1 1/2"	130	277	140	50,5	43,5	34,9	
50	2"	130	300	159	64	56,5	47,6	

Ordering information for valve system Continuous ELEMENT Type 8802-DF

A valve system Continuous ELEMENT Type 8802-DF consists of a diaphragm valve Type 2103 and a digital electropneumatic Positioner Type 8692, a digital electropneumatic Process Controller Type 8693, a digital electropneumatic Positioner Basic Type 8694 (below), an electropneumatic positioner Type 8792/8793 (for valve actuator sizes ø70/90/130 mm) or a digital electropneumatic Positioner Type 8696 (for valve actuator size ø50 mm) (see next page) (see separate datasheets).

For the configuration of further valve systems please use the "Request for quotation" on p. 16 [go to page](#)

You order two components and receive a complete assembled and certified valve.

Diaphragm valve Type 2103 cast	Process Controller TopControl	Positioner TopControl		
	Process Controller Type 8693	Positioner Type 8692	Positioner Basic Type 8694	Positioner Basic Type 8696
Valve System Continuous ELEMENT				
				
	Type 8802-DF-J 2103 + 8693	Type 8802-DF- I 2103 + 8692	Type 8802-DF- L 2103 + 8694	Type 8802-DF- L 2103 + 8694

A detailed description of the positioner and process controllers is on the next page. →

Process Controller TopControl



More
info.

Type 8693

Actuator size 70/90/130

The smart Process Controller Type 8693 is optimised for integrated mounting on the pneumatic actuators of Type 23XX/2103 process valve series and is specially designed for the requirements of an hygienic process environment. With the help of Tune functions the initialization of process controller and positioner can be carried out automatically. The easy handling and the selection of additional software functions and parameter setting are done on a big graphical display with backlight and keypad. The configuration and parameterisation of the controller can also be done through Bürkert COMMUNICATOR software tool via PC interface.

Features

- Contact-free position sensor
- Universal positioning system for single- and double-acting actuators
- Highly dynamic positioning system without air consumption in steady state
- Integrated diagnostic functions for valve monitoring
- Automatic initialization of the position and process controller via Tune function
- Defined safe position in case of electrical or pneumatic auxiliary power failure
- Profibus DPV1 or DeviceNet fieldbus communication (optional)
- Compact and robust hygienic stainless steel design

Benefits

- Quick and simple commissioning
- Intuitive and easy operation via graphical display with backlight and keypad
- High plant availability due to high life span of the Actuator boosted by spring chamber ventilation
- Guaranteed reliability and predictable maintenance through valve monitoring and diagnosis
- Easy maintenance and process monitoring

Click on the orange box "More info"... you will come to our website for the resp. product where you can download the data sheet.

2103 cast System Continuous ELEMENT 8802-DF

bürkert

Positioner TopControl



Type 8692

Actuator size 70/90/130

The smart Positioner Type 8692 is optimised for integrated mounting on the pneumatic actuators of Type 23XX/2103 process valve series and is specially designed for the requirements of an hygienic process environment. With the help of Tune functions the initialization of positioner can be carried out automatically. The easy handling and the selection of additional software functions and parameter setting are done on a big graphical display with backlight and keypad. The configuration and parameterisation of the controller can also be done through Bürkert COMMUNICATOR software tool via PC interface.

Features

- Contact-free position sensor
- Universal positioning system for single- and double-acting actuators
- Highly dynamic positioning system with air consumption in steady state
- Integrated diagnostic functions for valve monitoring
- Automatic initialization of the position and process controller via Tune function
- Defined safe position in case of electrical or pneumatic auxiliary power failure
- Profibus DPV1 or DeviceNet fieldbus communication (optional)
- Compact and robust hygienic stainless steel design

Benefits

- Quick and simple commissioning
- Intuitive and easy operation via graphic al display with backlight and keypad
- High plant availability due to high life span of the Actuator boosted by spring chamber ventilation
- Guaranteed reliability and predictable maintenance through valve monitoring and diagnosis

Positioner TopControl BASIC



Type 8694

Actuator size 70/90/130

The compact Positioner Type 8696 / 8694 is optimised for integrated mounting on the pneumatic actuators of Type 23XX/2103 process valve series and is specially designed for the requirements of an hygienic process environment. Operation and parameterisation are done s7iwawThe coouration of 9he co2 20llerw an abo8

Type 8696

Actuator size 50

5ggl d0m.0os.22onngwbs07in.23..ud air co0m-ftion w.n sted0

50terqac.(eeli..300hun.2qationt069...00

0mpsedw0ace req20emenn w.n the ph.2nn w/0.ing forxm°rw2067d...hitXv.

5gl phynn vhd20it06903








Click on the orange box "More info"... you will come to our website for the resp. product where you can download the data sheet.

Ordering information for valve system Continuous ELEMENT Type 8802-DF, *continued*

A valve system Continuous ELEMENT Type 8802-DF consists of a diaphragm valve Type 2103 and a digital electropneumatic Positioner Type 8692, a digital electropneumatic Process Controller Type 8693, a digital electropneumatic Positioner Basic Type 8694 (previous page), an electropneumatic positioner Type 8792/8793 (for valve actuator sizes ø70/90/130 mm) or a digital electropneumatic Positioner Type 8696 (for valve actuator size ø50 mm) (see below) (see separate datasheets).

For the configuration of further valve systems please use the "Request for quotation" on p. 16 [go to page](#)

You order two components and receive a complete assembled and certified valve.

Diaphragm valve Type 2103 cast	Process Controller SideControl Remote	Positioner SideControl Remote	
	<p>Process Controller Type 8793 Remote-Sensor Type 8798</p> 	<p>Positioner Type 8792 Remote-Sensor Type 8798</p> 	<p>Positioner BASIC Type 8791 Remote-Sensor Type 8798</p> 
<p>Valve System Continuous ELEMENT</p>	 <p>Type 8802-DF-Q 2103 + 8793 + 8798</p>	 <p>Type 8802-DF-P 2103 + 8792 + 8798</p>	 <p>Type 8802-DF-O 2103 + 8791 + 8798</p>

A detailed description of the positioner and process controllers is on the next page.

Process Controller SideControl Remote



More
info.

Type 8793 with Remote-Sensor Type 8798

Actuator sizes 70/90/130

The smart digital Process Controller Type 8793 is designed for assembly with linear and rotary actuators with standardisation acc. to IEC 534-6 or VDI / VDE for demanding control tasks. The remote version with the displacement position sensor is used for controlling Bürkert process control valves. The operation is done on the graphical display with backlight. The initialization of the process and position controller can be carried out automatically through TUNE function. In that regard the control loop type is automatically recognised and the control structure with its optimum set of parameters are determined.

Features

- Universal positioning system for single- and double-acting actuators
- Integrated diagnostic functions for valve monitoring
- Automatic initialization of the position and process controller via Tune function
- Highly dynamic positioning system with air consumption in steady state
- Backlit graphic display with keypad
- Profibus DPV1 or DeviceNet fieldbus communication (optional)
- Compact and robust design
- Adaption acc. to IEC 534-6 or VDI / VDE 3845 for linear and rotary actuators or as remote version for Bürkert process valves

Customer benefits

- Quick and simple commissioning
- Intuitive and easy operation via graphic display with backlight and keypad
- Guaranteed reliability and predictable maintenance through valve monitoring and diagnosis
- Easy maintenance and process monitoring
- Long operating lifetime

Click on the orange box "More info"... you will come to our website for the resp. product where you can download the data sheet.

2103 cast System Continuous ELEMENT 8802-DF

Positioner SideControl Remote



More info.

Positioner Type 8792 with Remote Sensor Type 8798

Actuator sizes 70/90/130

The smart digital Positioner Type 8792 is designed for assembly with linear and rotary actuators with standardisation acc. to IEC 534-6 or VDI/ VDE for demanding control tasks. The remote version with the displacement position sensor Type 8798 is used for controlling Bürkert process control valves. The operation is done on the graphic display with backlight. The initialization of the position controller can be carried out automatically through Tune function.

Features

- Backlit graphic display with keypad
- Universal positioning system for single- and double-acting actuators
- Highly dynamic positioning system with air consumption in steady state
- Integrated diagnostic functions for valve monitoring
- Profibus DPV1 or DeviceNet fieldbus communication (optional)
- Compact and robust design
- Adaption acc. to IEC 534-6 or VDI / VDE 3845 for linear and rotary actuators or as remote version for Bürkert process valves

Benefits

- Quick and simple commissioning
- Intuitive and easy operation via graphic display with backlight and keypad
- Guaranteed reliability and predictable maintainance through valve monitoring and diagnosis
- Long operating lifetime

bürkert

Positioner SideControl BASIC Remote



More info.

More info.

Positioner Type 8791 with Remote Sensor Type 8798

Actuator sizes 70/90/130

Positioner IP20 Type 8791 with Remote Sensor Type 8798

Actuator sizes 70/90/130

The Positioner Type 8791 is designed for assembly with linear and rotary actuators with standardisation acc. to IEC 534-6 or VDI/ VDE for less demanding control tasks. The remote version with the displacement position sensor is used for controlling Bürkert process control valves. All operational elements are inside the casing.

Features

- Simple design
- Universal positioning system for single- and double-acting actuators
- Highly dynamic positioning system with air consumption in steady state
- Adaption acc. to IEC 534-6 or VDI / VDE 3845 for linear and rotary actuators or as remote version for Bürkert process valves
- AS-Interface fieldbus communication (only 8791 BASIC Remote)

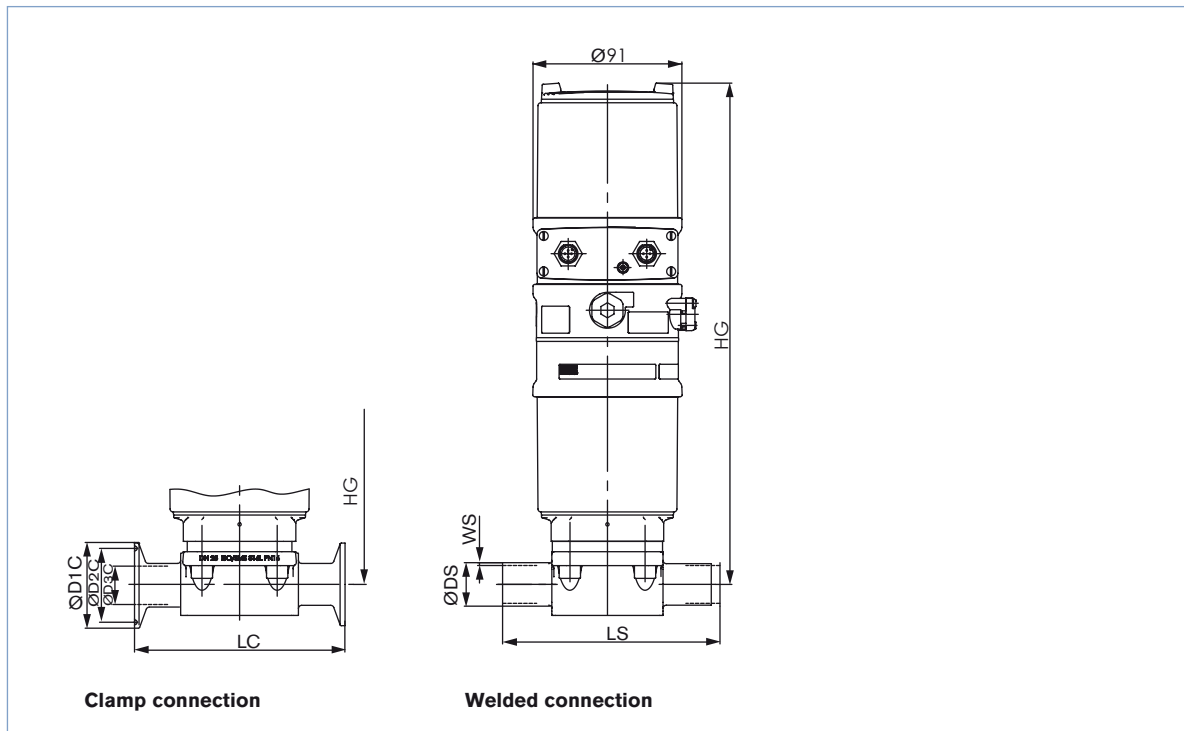
Benefits

- Easy Start-up
- Simple device for less demanding control tasks
- Less energy consumption

Click on the orange box "More info"... you will come to our website for the resp. product where you can download the data sheet.

Dimensions for valve system Continuous ELEMENT Type 8802-DF [mm]

Dimensions valve system Continuous ELEMENT Type 8802-DF-I with Positioner TopControl Type 8692 and 8802-DF-J with Process Controller TopControl Type 8693 [mm]



Welded connection

Orifice [mm]	Actuator size Ø [mm]	HG	EN ISO 1127/ ISO 4200			DIN 11850 Reihe 2			SMS 3008 (on request)		
			LS	Ø DS	WS	LS	Ø DS	WS	LS	Ø DS	WS
15	70	294	110	21,3	1,6	110	19	1,5	-	-	-
20	70	304	119	26,9	1,6	119	23	1,5	-	-	-
25	70	307	129	33,7	2,0	129	29	1,5	129	25	1,2
	90	340	129	33,7	2,0	129	29	1,5	129	25	1,2
40	130	421	161	48,3	2,0	161	41	1,5	161	38	1,2
50	130	444	192	60,3	2,0	192	53	1,5	192	51	1,2

Clamp connection

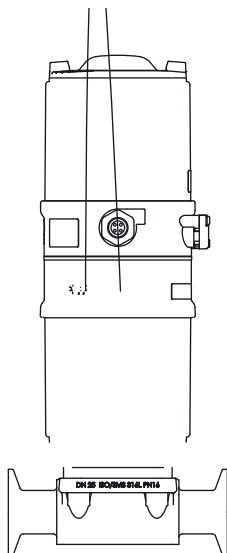
All bodies				DIN 32676				BS 4825				ISO 2852-SMS 3017 (on request)			
Orifice		Actuator size Ø [mm]	HG	LC	ØD1C	ØD2C	ØD3C	LC	ØD1C	ØD2C	ØD3C	LC	ØD1C	ØD2C	ØD3C
[mm]	[inch]														
15	1/2"	70	294	110	34	27,5	16	102	25	20,22	16,7	-	-	-	-
20	3/4"	70	304	119	34	27,5	20	-	-	-	-	-	-	-	-
25	1"	70	307	129	50,5	43,5	26	114	50,5	43,5	22,2	129	50,5	43,5	22,6
		90	340	129	50,5	43,5	26	114	50,5	43,5	22,2	129	50,5	43,5	22,6
40	1 1/2"	130	421	161	50,5	43,5	38	140	50,5	43,5	34,9	161	50,5	43,5	35,6
50	2"	130	444	192	64	56,5	50	159	64,0	56,5	47,6	192	64	56,5	48,6

Dimensions for valve system Continuous ELEMENT Type 8802-DF [mm], *continued*

Dimensions valve system Continuous ELEMENT Type 8802-DF-L with Positioner TopControl Basic Type 8694 [mm]

Welded connection

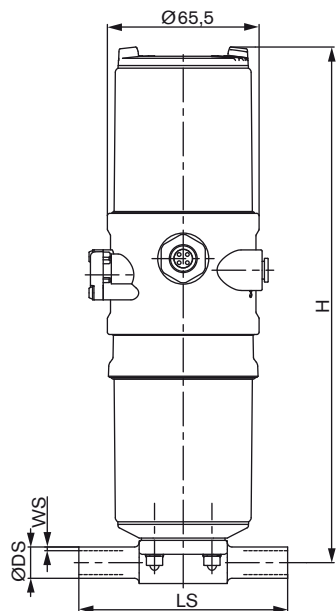
Clamp connecton



Dimensions for valve system Continuous ELEMENT Type 8802-DF [mm], *continued*

Dimensions valve system Continuous ELEMENT Type 8802-DF-N with Positioner TopControl Basic Type 8696 [mm]

Welded connection



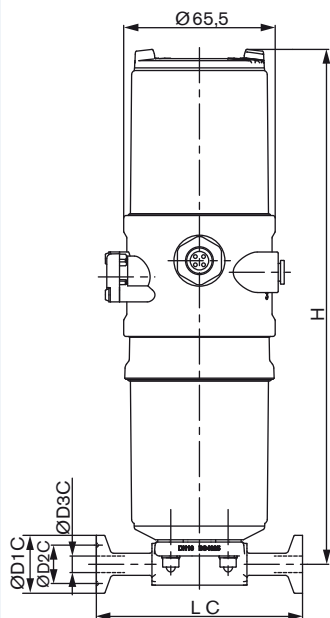
EN ISO 1127/ISO 4200, DIN 11850 R2

Orifice [mm]	Actuator size Ø [mm]	EN ISO 1127/ ISO 4200		DIN 11850 Series 2	
		Ø DS	WS	Ø DS	WS
8	50	13,5	1,6	–	–
10	50	17,2	1,6	13	1,5

DIN 11850 R0

Orifice [mm]	Actuator size Ø [mm]	H	LS	Ø DS	WS
4	50	223	90	6	1,0
6	50	223	90	8	1,0

Clamp connection



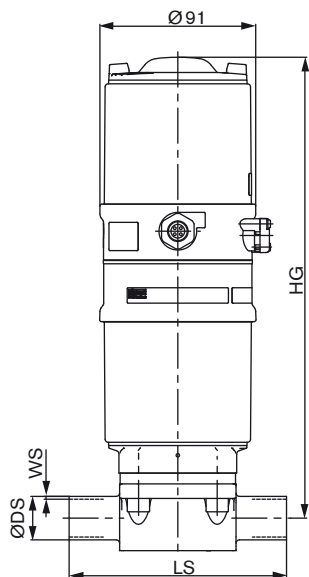
BS 4825

Orifice		Actuator size Ø [mm]	H	LC	Ø D1 C	Ø D2 C	Ø D3 C
[mm]	[inch]						
8	1/4"	50	223	89	25	20,22	7,1
10	3/8"	50	223	89	25	20,22	10,3

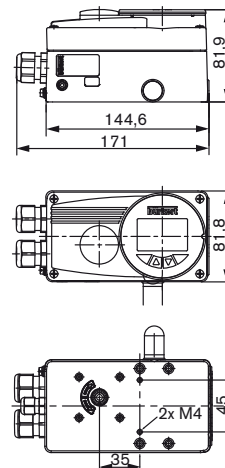
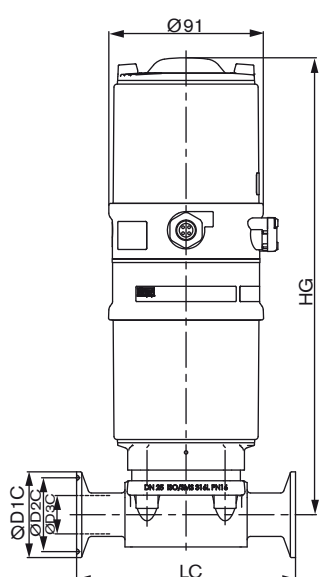
Dimensions for valve system Continuous ELEMENT Type 8802-DF [mm], *continued*

Dimensions valve system Continuous ELEMENT Type 8802-DF-P with Positioner SideControl Remote Type 8792 and Type 8802-DF-Q with Process Controller SideControl Remote Type 8793 [mm]

Welded connection



Clamp connection



Welded connection

Orifice		Actuator size Ø [mm]	HG	LS	EN ISO 1127/ ISO 4200		DIN 11850 Series 2		SMS 3008 (on request)	
[mm]	[inch]				Ø DS	WS	Ø DS	WS	Ø DS	WS
15	1/2"	70	254	110	21,3	1,6	19	1,5	-	-
20	3/4"	70	264	119	26,9	1,6	23	1,5	-	-
25	1"	70	267	129	33,7	2,0	29	1,5	25	1,2
		90	300	129	33,7	2,0	29	1,5	25	1,2
40	1 1/2"	130	381	161	48,3	2,0	41	1,5	38	1,2
50	2"	130	404	192	60,3	2,0	53	1,5	51	1,2

Clamp connection

DIN 32676, BS 4825

All bodies				DIN 32676			BS 4825				
Orifice		Actuator size Ø [mm]	HG	LC	Ø D1C	Ø D2C	Ø D3C	LC	Ø D1C	Ø D2C	Ø D3C
[mm]	[inch]										
15	1/2"	70	254	110	34	27,5	16	102	25	20,22	16,7
20	3/4"	70	264	119	34	27,5	20	-	-	-	-
25	1"	70	267	129	50,5	43,5	26	114	50,5	43,5	22,2
		90	300	129	50,5	43,5	26	114	50,5	43,5	22,2
40	1 1/2"	130	381	161	50,5	43,5	38	140	50,5	43,5	34,9
50	2"	130	404	192	64,0	56,5	50	159	64	56,5	47,6

On request: ISO 2852-SMS 3017

Orifice		Actuator size Ø [mm]	HG	LC	Ø D1C	Ø D2C	Ø D3C
[mm]	[inch]						
25	1"	70	267	129	50,5	43,5	22,6
		90	300	129	50,5	43,5	22,6

Valve system Continuous ELEMENT Type 8802-DF - Request for quotation

Please fill out and send to your nearest Bürkert facility* with your inquiry or order

Company	Contact person
Customer no.	Department
Address	Tel./Fax
Postcode/town	E-Mail

= mandatory fields to fill out

Quantity

Required delivery date

Operating data

Pipeline DN PN

Pipe material

Process medium

Type of medium Liquid Steam Gas

Valve features

Specification key

automatically transferred from last page

[go to page](#)

Surface finish (if not standard)

internal μm

external μm

Pilot pressure

min.

max.

Control unit features

Click on the orange box "More info"... you will come to our website for the resp. product where you can download the data sheet.

Positioner TopControl

Type 8692

For actuator sizes 70/90/130

[More info.](#)



- Digital Positioner without sensor input
- Backlit graphical display
- Automatic start-up by Tune function
- Fieldbus communication
- Diagnostic functions

Process Controller TopControl

Type 8693

For actuator sizes 70/90/130

[More info.](#)



- Intelligent digital Process Controller with integrated PID controller
- Backlit Graphical display
- Tune function for easy Start-up, linearization and optimization of process characteristic
- Fieldbus communication
- Diagnostic functions

Pneumatic function

- Single-acting
 Double-acting

Analog feedback

- 0/4 – 20 mA
 0/4 – 20 mA + 2 Binary outputs

Approval

- ATEX cat. 3GD, IECEx
 without

Communication

- Profibus
 DeviceNet
 without

Electrical connection

- Cable gland
 Multi-pin connector

Diagnostic functions²

- yes
 no

Proximity switches (optional)

- yes (detection of Endposition)
 no





² In combination with binary outputs





Continued on next page →

Valve system Continuous ELEMENT Type 8802-DF - Request for quotation, *continued*



Control unit features

Click on the orange box "More info"... you will come to our website for the resp. product where you can download the data sheet.

Positioner TopControl BASIC		Positioner TopControl BASIC	
<input type="checkbox"/> Type 8694 For actuator size 70/90/130 		<input type="checkbox"/> Type 8696 For actuator size 50 	
<ul style="list-style-type: none"> ▪ Status-LED and DIP-Switches ▪ Tune-Function for automatic set up ▪ Positioning system for single-acting actuators ▪ With AS Interface fieldbus communication 			
Pneumatic function <input type="checkbox"/> Single-acting	Analog feedback <input type="checkbox"/> yes <input type="checkbox"/> no	Approval <input type="checkbox"/> ATEX cat. 3GD, IECEx <input type="checkbox"/> without	
Communication <input type="checkbox"/> AS-Interface (only 8694) <input type="checkbox"/> without	Electrical connection <input type="checkbox"/> Cable gland (only 8694) <input type="checkbox"/> M12 Connector		

Positioner SideControl Remote		Process Controller SideControl Remote	
<input type="checkbox"/> Type 8792 with Remote-Sensor Type 8798 For actuator size 70/90/130 		<input type="checkbox"/> Type 8793 with Remote-Sensor Type 8798 For actuator size 70/90/130 	
<ul style="list-style-type: none"> ▪ Digital Positioner ▪ Backlit graphical display ▪ Automatic Start-up by Tune function ▪ Fieldbus communication ▪ Diagnostic functions 		<ul style="list-style-type: none"> ▪ Intelligent digital Process Controller with integrated PID-Controller ▪ Backlit graphical display ▪ Tune function for automatic Start-up, linearization and optimization of process characteristic ▪ Fieldbus communication ▪ Diagnostic functions 	
Pneumatic function <input type="checkbox"/> Single-acting (Actuator size 70/90) <input type="checkbox"/> Single- and double-acting (Actuator size 130)	Analog feedback <input type="checkbox"/> 0/4 – 20 mA <input type="checkbox"/> 0/4 – 20 mA + 2 Binary outputs <input type="checkbox"/> 0 – 5/10 V <input type="checkbox"/> 0 – 5/10 V + 2 Binary outputs	Zulassung <input type="checkbox"/> ATEX cat. 3GD <input type="checkbox"/> without	
Communication <input type="checkbox"/> Profibus <input type="checkbox"/> DeviceNet <input type="checkbox"/> without	Electrical connection <input type="checkbox"/> Cable gland (without fieldbus comm.) <input type="checkbox"/> Multi-pin connector		Diagnostic functions² <input type="checkbox"/> yes <input type="checkbox"/> no
²⁾ In Kombination mit Binärausgängen			

Valve system Continuous ELEMENT Type 8802-DF - Request for quotation, *continued*

<p>Positioner SideControl BASIC Remote</p> <p><input type="checkbox"/> Type 8791 with Remote-Sensor Type 8798 More info.</p> <p>For actuator sizes 70/90/130</p>  <ul style="list-style-type: none"> ▪ simple Positioner ▪ Universal positioning system for single- and double-acting actuators ▪ Automatic Start-up by Tune function ▪ Fieldbus communication 		<p>Positioner SideControl BASIC Remote IP20</p> <p><input type="checkbox"/> Type 8791 with Remote-Sensor Type 8798 More info.</p> <p>For actuator sizes 70/90/130</p>  <ul style="list-style-type: none"> ▪ simple Positioner for cabinet installation ▪ Universal positioning system for single- and double-acting actuators ▪ Automatic Start-up by Tune function 	
<p>Pneumatic function</p> <p><input type="checkbox"/> Single-acting (Actuator sizes 70/90)</p> <p><input type="checkbox"/> Single- and double-acting (Actuator size 130)</p>		<p>Analog Feedback</p> <p><input type="checkbox"/> 0/4 – 20 mA</p> <p><input type="checkbox"/> without</p>	
<p>Communication</p> <p><input type="checkbox"/> AS-Interface (only 8791 BASIC Remote)</p> <p><input type="checkbox"/> Analog profile S-7.3.4 (only setpoint)</p> <p><input type="checkbox"/> Analog profile S-7.A.5 (setpoint and feedback)</p> <p><input type="checkbox"/> without</p>		<p>Approval</p> <p><input type="checkbox"/> ATEX cat. 3GD (only 8791 BASIC Remote)</p> <p><input type="checkbox"/> without</p>	
<p>Electrical connection</p> <p><input type="checkbox"/> Cable gland (without fieldbus comm.)</p> <p><input type="checkbox"/> Multi-pin connector</p>			

Certifications

Attestation of compliance with the order EN-ISO 10204 2.1 (Article no. 440788)

Test report EN-ISO 10204 2.2 (Article no. 803722)

Certification of Conformity for Raw Material EN-ISO 10204 3.1 (Article no. 803723)

EN161 (European Gas Device guideline)

FDA - USP certificate

Comment / sketch

Continued on next page →

*To find your nearest Bürkert facility, click on the orange box →

www.burkert.com

Valve features, specification key

Example

A 15 AB VG SA42 NO06

Specification key

Please make a choice

CONTROL FUNCTION

A	NC by spring action
B	normally open by spring action
I	double-acting

SIZE [mm]

04
06
08
10
15
20
25
32
40
50

SEAL MATERIAL

AB	EPDM in food quality
AD	EPDM
EA	PTFE/EPDM
FF	FKM
EU	advanced PTFE/EPDM in two pieces

BODY MATERIALS

VG	Cast stainless steel 316L/1,4435
----	----------------------------------

VARIABLE CODES

Surface finish, internal		
NO06	mechanical polished Ra=0,8 µm	Standard
NO16	electro polished Ra=0,6 µm	



PORT CONNECTION

Welded connection

Port conn. [mm]	EN ISO 1127/ISO 4200	SMS 3008	DIN 11850			BS 4825	ASME BPE	JIS Sanitary	JIS Utility
			Series 0	Series 1	Series 2				
4			SC40=6x1,0						
6			SC41=8x1,0						
8	SA40=13,5x1,6		SC42=10x1,0			SODB=6,35x1,2	SA90=6,35x0,89	SA70=13,8x1,65	
10	SA41=17,2x1,6			SF40=12x1,0	SD40=13x1,5	SODC=9,53x1,2	SA91=9,53x0,89	SA71=17,3x1,65	
15	SA42=21,3x1,6			SF41=18x1,0	SD42=19x1,5	SODD=12,7x1,2	SA92=12,7x1,65	SA72=21,7x2,1	
20	SA43=26,9x1,6			SF42=22x1,0	SD43=23x1,5	SODE=19,05x1,2	SA93=19,05x1,65	SA76=27,2x2,1	SA80=27,2x2,1
25	SA44=33,7x2,0	SA60=25,0x1,2		SF43=28x1,0	SD44=29x1,5	SODF=25,4x1,65	SODF=25,4x1,65	SA73=25,4x1,2	SA81=34x2,0
32	SA45=42,4x2,0			SF44=34x1,0	SD45=35x1,5				SA83=42,7x2,0
40	SA46=48,3x2,0	SA62=38,0x1,2		SF45=40x1,0	SD46=41x1,5	SODH=38,1x1,65	SODH=38,1x1,65	SA74=38,1x1,2	SA84=60,5x2,0
50	SA47=60,3x2,0	SA63=51,0x1,2		SF46=52x1,0	SD47=53x1,5	SODI=50,8x1,65	SODI=50,8x1,65	SA75=50,8x1,5	

Welded connection

Port conn. [mm]	ISO 2852 SMS 3017	BS4825	DIN 32676
8	TC51=Clamp 34 – for tube ISO 4200	TG41=Clamp 25 – tube 9,53x1,2	
10	TC41=Clamp 34 – for tube ISO 4200	TH42=Clamp 25 – tube 12,7x1,2	TD41=Clamp 34 – tube 13x1,5
15	TC42=Clamp 34 – for tube ISO 4200	TH43=Clamp 25 – tube 19,05x1,2	TD42=Clamp 34 – tube 19x1,5
20	TC43=Clamp 50,5 – for tube ISO 4200		TD43=Clamp 34 – tube 23x1,5
25	TC44=Clamp 50,5 – for tube ISO 4200	TG44=Clamp 50,5 – tube 25,4x1,65	TD44=Clamp 50,5 – tube 29x1,5
40	TC46=Clamp 64 – for tube ISO 4200	TG45=Clamp 50,5 – tube 38,1x1,65	TD46=Clamp 50,5 – tube 41x1,5
50	TC47=Clamp 77,5 – for tube ISO 4200	TG46=Clamp 64 – tube 50,8x1,65	TD47=Clamp 64 – tube 53x1,5

In case of special application conditions, please consult for advice

Subject to alterations
© Christian Bürkert GmbH & Co. MG

1801/4_EU-en_00895149