

Air Breather Filters

Pi 0101 – Pi 0185

1. Description

The Pi 0101 through Pi 0126 breather filters have pot-shaped housings made of non-corrosive material. The air intake is located in the upper section, this prevents surface dust to be drawn in from the tank top. The cover is designed to prevent entry of splash-water. The disposable, pleated elements can be replaced in a matter of seconds.

The Pi 0140 through Pi 0185 breather filters have a housing made of galvanized sheet metal. The built-in o-ring provides accurate at the tank connection.

With the choice of Mic or Sm-L elements the CETOP RP 98 H requirements are fulfilled. These specify the same filtration degree for the breather filter as the system filter utilizes.

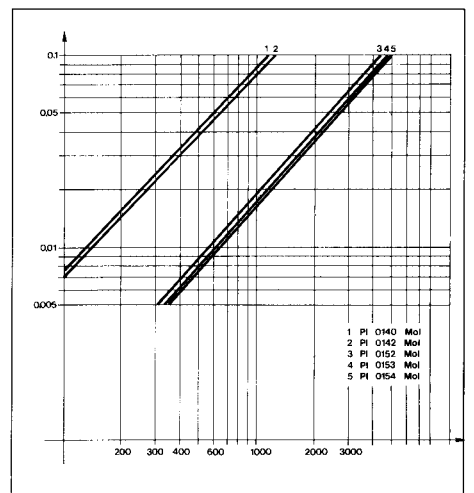
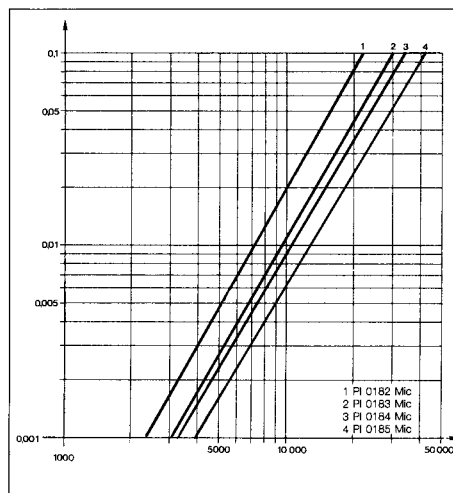
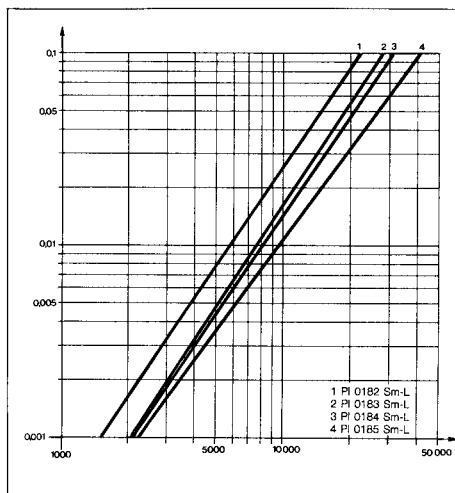
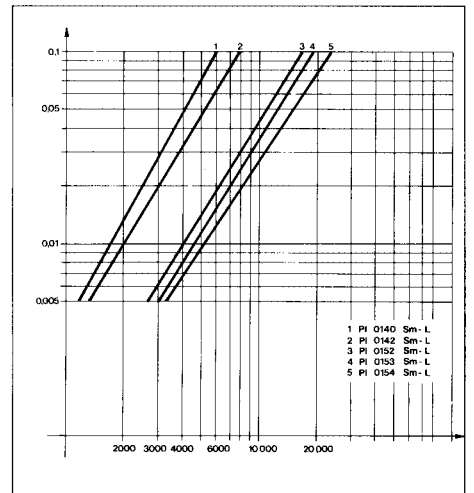
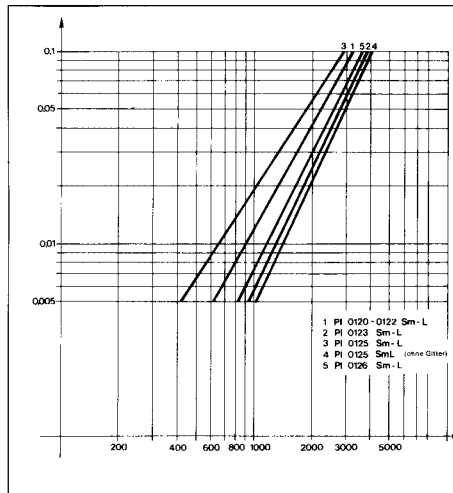
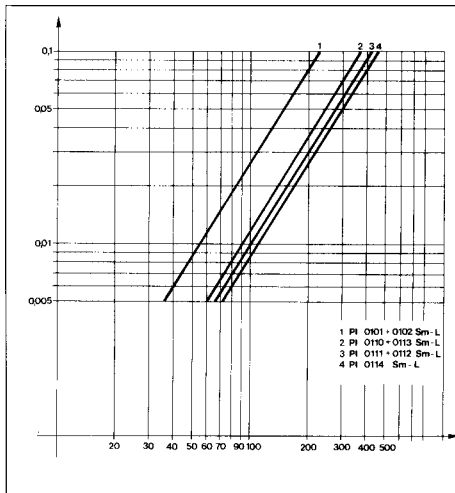
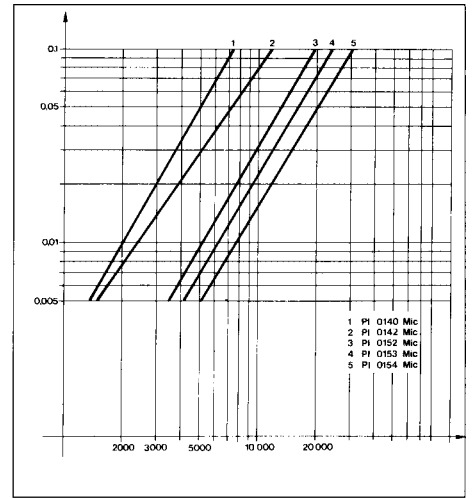
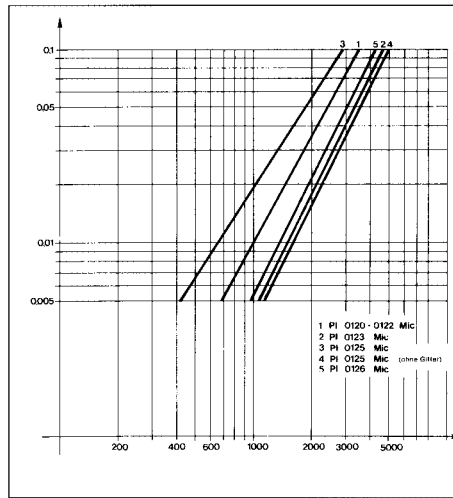
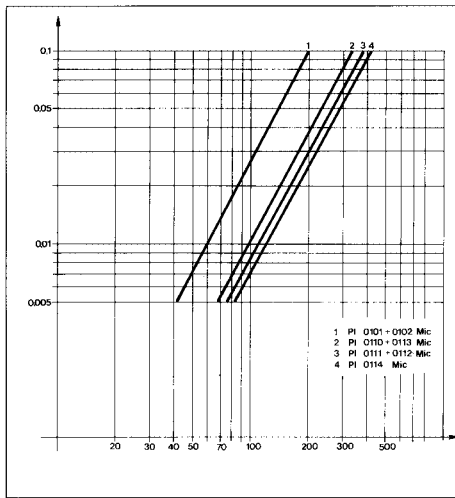
Mol-elements prevent oil vapors from exiting the tank. The oil vapors coagulate, forming drops within the pleated coalescer layer, which are returned to the tank.

Using these filters your tank will breath clean air.

- non-corrosive
- impact proof
- selection of elements to meet system requirements
 - choice of Mic 10 µm
 - Sm-L 3 µm
 - Mol oil vapors
 - pleated
 - high dirt holding capacity
- varied mounting option
 - screwed – pipe mount
 - face mount – with filling strainer
 - with protective screen
- worldwide distribution



2. Performance graphs / Filter complete



3. Order numbers

3.1 Filter complete					3.2 Filter elements			
Order number	Type number	Element			Con- nection for contam. indicator (VA)	Order number	Type number	Qty per pack
		Mic	Sm-L	Mol				
757.583.0	Pi 0101 Mic					768.769.2	852 514 Mic	3
757.584.8	Pi 0101 Sm-L					764.356.2	852 514Sm-L	3
757.580.6	Pi 0102 Mic					768.769.2	852 514 Mic	3
757.581.4	Pi 0102 Sm-L					764.356.2	852 514Sm-L	3
773.470.0	Pi 0110 Mic					768.764.3	852 507 Mic	3
773.471.8	Pi 0110 Sm-L					764.354.7	852 507 Sm-L	3
773.473.4	Pi 0111 Mic					768.764.3	852 507 Mic	3
773.474.2	Pi 0111 Sm-L					764.354.7	852 507 Sm-L	3
773.476.7	Pi 0112 Mic					768.764.3	852 507 Mic	3
773.477.5	Pi 0112 Sm-L					764.354.7	852 507 Sm-L	3
773.479.1	Pi 0113 Mic					768.764.3	852 507 Mic	3
773.480.9	Pi 0113 Sm-L					764.354.7	852 507 Sm-L	3
773.482.5	Pi 0114 Mic					768.764.3	852 507 Mic	3
773.483.3	Pi 0114 Sm-L					764.354.7	852 507 Sm-L	3
757.568.1	Pi 0120 Mic					768.776.7	852 519 Mic	3
757.569.9	Pi 0120 Sm-L					764.355.4	852 519 Sm-L	3
757.565.7	Pi 0121 Mic					768.776.7	852519 Mic	3
757.566.5	Pi 0121 Sm-L					764.355.4	852 519 Sm-L	3
757.562.4	Pi 0122 Mic					768.776.7	852 519 Mic	3
757.563.2	Pi 0122 Sm-L					764.355.4	852 519 Sm-L	3
757.559.0	P i 0123 Mic					768.776.7	852 519 Mic	3
757.560.8	Pi 0123 Sm-L					764.355.4	852 519 Sm-L	3
772.822.3	Pi 0125 Mic					768.776.7	852 519 Mic	3
772.823.1	Pi 0125 Sm-L					764.355.4	852 519 Sm-L	3
772.816.5	Pi 0126 Mic					768.776.7	852 519 Mic	3
772.817.3	Pi 0126 Sm-L					764.355.4	852 519 Sm-L	3
774.973.2	Pi 0140 Mic					768.799.9	852 621 Mic	3
774.974.0	Pi 0140 Sm-L					764.562.5	852 621 Sm-L	3
776.549.8	Pi 0140 Mol					778.936.5	852 621 Mol	3
774.976.5	Pi 0140 Mic/VA					768.799.9	852 621 Mic	3
774.977.3	Pi 0140 Sm-L/VA					764.562.5	852 621 Sm-L	3
776.550.6	Pi 0140 Mol/VA					778.936.5	852 621 Mol	3
773.072.4	Pi 0142 Mic					768.799.9	852 621 Mic	2
773.073.2	Pi 0142 Sm-L					764.562.5	852 621 Sm-L	2
776.551.4	Pi 0142 Mol					778.936.5	852 621 Mol	2
772.827.2	Pi 0142Mic/VA					768.799.9	852 621 Mic	2
772.828.0	Pi 0142 Sm-L/VA					764.562.5	852 621 Sm-L	2
776.552.2	Pi 0142 Mol/VA					778.936.5	852 621 Mol	2
774.932.8	Pi 0152 Mic					768.772.6	852 516 Mic	2
774.933.6	Pi 0152 Sm-L					768.775.9	852 516 Sm-L	2
776.553.0	Pi 0152 Mol					778.938.1	852 516 Mol	2
774.935.1	Pi 0152 Mic/VA					768.772.6	852 516 Mic	2
774.936.9	Pi 0152Sm-L/VA					768.775.9	852 516 Sm-L	2
776.554.8	Pi 0152 Mol/VA					778.938.1	852 516 Mol	2
772.830.6	Pi 0153 Mic					768.772.6	852 516 Mic	2
772.831.4	Pi 0153 Sm-L					768.775.9	852 516 Sm-L	2
776.555.5	Pi 0153 Mol					778.938.1	852 516 Mol	2
772.833.0	Pi 0153 Mic/VA					768.772.6	852 516 Mic	2
772.834.8	Pi 0153Sm-L/VA					768.775.9	852 516 Sm-L	2
776.556.3	Pi 0153 Mol/VA					778.938.1	852 516 Mol	2
774.979.9	Pi 0154 Mic					768.772.6	852 516 Mic	2
774.980.7	Pi 0154 Sm-L					768.775.9	852 516 Sm-L	2
776.557.1	Pi 0154 Mol					778.938.1	852 516 Mol	2
774.982.3	Pi 0154 Mic/VA					768.772.6	852 516 Mic	2
774.983.1	Pi 0154 Sm-L/VA					768.775.9	852 516 Sm-L	2
776.558.9	Pi 0154 Mol/VA					778.938.1	852 516 Mol	2

3. Order numbers

3.1 Filter complete					3.2 Filter elements			
Order number	Type number	Element			Con- nection for contam. indicator (VA)	Order number	Type number	Qty per pack
		Mic	Sm-L	Mol				
795.091.8	Pi 0182 Mic					795.029.8	852 822 Mic	1
795.092.6	Pi 0182 Sm-L					795.034.8	852 822 Sm-L	1
795.093.4	Pi 0182 Mol					787.331.8	852 822 Mol	1
795.095.9	Pi 0182 Mic/VA					795.029.8	852 822 Mic	1
795.096.7	Pi 0182 Sm-L/VA					795.034.8	852 822 Sm-L	1
795.097.5	Pi 0182 Mol/VA					787.331.8	852 822 Mol	1
795.053.8	Pi 0183 Mic					795.029.8	852 822 Mic	1
795.054.6	Pi 0183 Sm-L					795.034.8	852 822 Sm-L	1
787.321.9	Pi 0183 Mol					787.331.8	852 822 Mol	1
795.078.5	Pi 0183 Mic/VA					795.029.8	852 822 Mic	1
795.083.5	Pi 0183 Sm-L/VA					795.034.8	852 822 Sm-L	1
795.084.3	Pi 0183 Mol/VA					787.331.8	852 822 Mol	1
795.021.5	Pi 0184 Mic					795.029.8	852 882 Mic	1
795.022.3	Pi 0184 Sm-L					795.034.8	852 822 Sm-L	1
795.085.0	Pi 0184 Mol					787.331.8	852 822 Mol	1
795.087.6	Pi 0184 Mic/VA					795.029.8	852 822 Mic	1
795.088.4	Pi 0184 Sm-L/VA					795.034.8	852 822 Sm-L	1
795.089.2	Pi 0184 Mol/VA					787.331.8	852 822 Mol	1
795.449.8	Pi 0185 Mic					795.029.8	852 822 Mic	1
795.450.6	Pi 0185 Sm-L					795.034.8	852 822 Sm-L	1
795.451.4	Pi 0185 Mol					787.331.8	852 822 Mol	1
822.412.3	Pi 0185 Mic/VA					795.029.8	852 822 Mic	1
822.414.9	Pi 0185 Sm-L/VA					795.034.8	852 822 Sm-L	1
822.413.1	Pi 0185 Mol/VA					787.331.8	852 822 Mol	1

4. Specifications

Separation:
 Mic 10 µm
 Sm-L 3 µm
 Mol oil vapors

Temperature range: -40 °C to +100 °C
 (other temperature ranges on request)

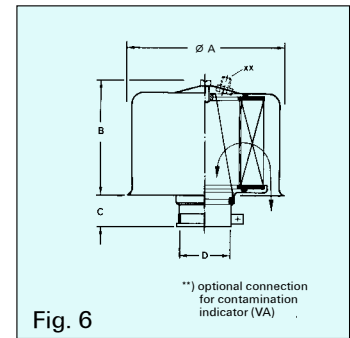
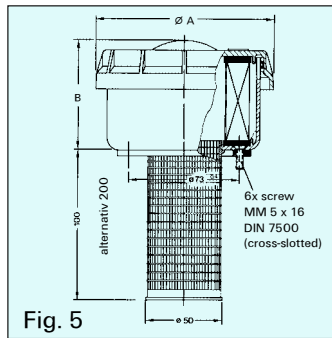
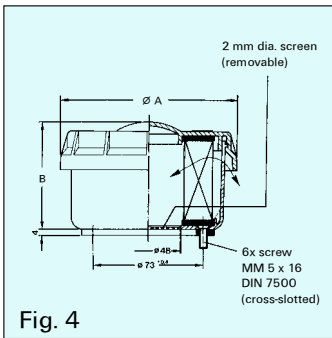
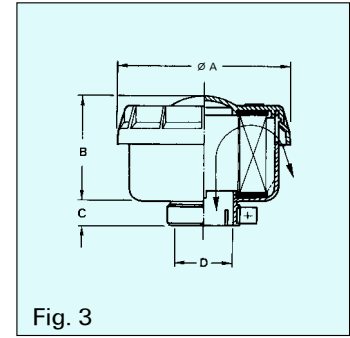
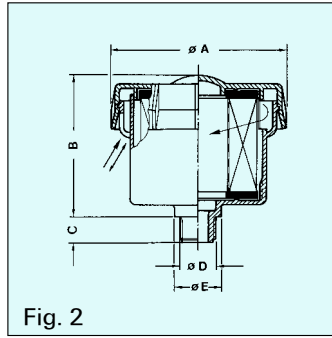
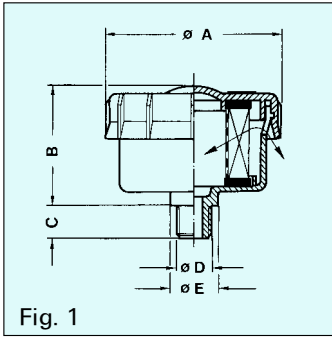
Housing material:
 Pi 0101 to Pi 0126 polyamide
 Pi 0140 to Pi 0154 galvanized sheet metal
 Pi 0182 to Pi 0185 steel / Al

Sealing material:
 Pi 0126 rubberized cork
 Pi 0140 to Pi 0185 NBR

Resistance: all hydraulic oils

Other elements for HFA, HFC and HFD fluids on request.

5. Dimensions



Type	Air throughput [l/min.] [*]			Fig.	Dimensions [mm and inches]				
	Mic	Sm-L	Mol		D (connection)	A	B	C	E
Pi 0101	60	55	-	1	M 12 x 1,5	62	44	12	17
Pi 0102	60	55	-	1	G ¼	62	44	12	17
Pi 0110	100	90	-	2	M 16 x 1,5	80	67	12	21
Pi 0111	110	100	-	2	M 22 x 1,5	80	67	13	27
Pi 0112	110	100	-	2	G ½	80	67	13	26
Pi 0113	100	90	-	2	G ¾	80	67	12	22
Pi 0114	120	110	-	2	G ¾	80	67	15	32
Pi 0120	1000	900	-	1	M 33 x 2	117,5	73	20	-
Pi 0121	1000	900	-	1	G 1	117,5	73	19	-
Pi 0122	1000	900	-	3	∅ 25	117,5	73	16	-
Pi 0123	1500	1300	-	3	∅ 40	117,5	73	16	-
Pi 0125	750	650	-	4	∅ 73	117,5	81	-	-
Pi 0125 without protect. screen	1600	1400	-	4	∅ 73	117,5	81	-	-
Pi 0126	1350	1150	-	5	∅ 73	117,5	81	100	-
Pi 0140	2000	1700	130	6	∅ 40**)	142	95	30	-
Pi 0142	2400	2000	140	6	∅ 52**)	142	95	30	-
Pi 0152	5300	4200	570	6	∅ 70**)	230	117	30	-
Pi 0153	6300	4600	620	6	∅ 76**)	230	117	30	-
Pi 0154	7700	5200	640	6	∅ 80**)	230	117	30	-
Pi 0182	7200	5800	-	6	∅ 70**)	230	320	30	-
Pi 0183	9600	7600	-	6	∅ 76**)	230	320	30	-
Pi 0184	10500	8100	-	6	∅ 80**)	230	320	30	-
Pi 0185	13000	9600	-	6	∅ 100**)	230	320	30	-

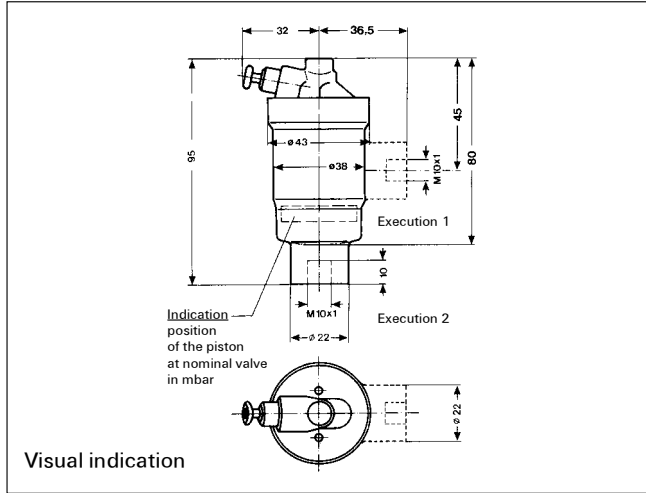
^{*}) at a delta-p of 0,01 bars

**) Socket-fit range H 11

6. Contamination indicator

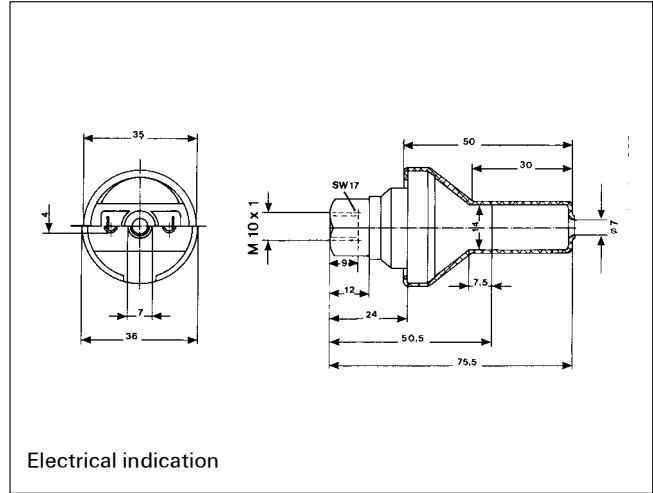
The types Pi 0101 - Pi 0185 may be equipped with a contamination indicator for optimal filter element exploitation. They indicate when the filter element must be serviced and thus save unnecessary costs.

The contamination indicator responds at 650 mm water column and is available in two variations, i.e. with visual or electrical signal. The unit is connected to the filter housing via an M 10 x 1 external thread nipple.



Type number	Indicating pressure [mbar] $\pm 10\%$	Order number	Type
TB 745	- 50	830.905.6	1
TB 745/1	- 50	830.906.4	2
TB 746/1	- 65	830.904.9	2

For further information also see our leaflet Contamination indicators!



Type number	Order number
LES 250 IP	830.891.8
Contact rating	24 V / 6 W w/Ohm load
Electrical connection	2 flat-plugs without ground

7. Filling adapter

- versatility
- rated options
- possibility of retrofilling

Tank connection: flange according DIN 24557 Part 2
 Material: Al anodized
 Seals: cork
 Screws: 6 pcs. M 5 x 70 DIN 912 (included in the delivery)

Order number	Execution
825.895.6	Filling adapter
825.911.1	Filling adapter with walther coupling and dust cap

Subject to technical alteration.

