

# ADJUSTABLE PRESSURE SWITCHES ATEX-CSA TYPE 131P/231P

Execution: Explosion proof, hermetically-sealed Eexd IIC T6  
 Certification: ATEX, CSA, CENELEC  
 Contacts: Changeover, SPDT or DPDT  
 Electrical Listings: Snap action electrical switch assemblies, Part Numbers 057-0770 & 057-0772 (Form C) and 057-0771 & 057-0773 (Form CC), are listed by Underwriters' Laboratories, Inc., FM Approvals, CSA International and NCC (INMETRO). See the miscellaneous option N for additional listings.

Working temperature: Ambient -40 +180 °C  
 Fluid -40 +300 °C

Electrical connections: 1/2 NPT male conduit connection with PVC insulated 18 AWG, 18" long leads

Pressure connections: 1/4 NPT Female and 1/2 NPT Male

Adjustment: Internal, slotted adjustment wheel



## ORDERING CODE

**131P 1 4 C6 BM**

<b>TYPE</b>	131
<b>WETTED MATERIALS</b>	1 - 4
<b>ADJUSTABLE RANGE</b>	2 - 3 - 4 - 5 - 6 - 7
<b>CONTACTS</b>	C6 - CC6
<b>OPTIONS</b>	A - B - C - D - E - G - H - I - J M - N - R - S - V - Z

Adjustable Range	Increase Range (bar)	Decrease Range (bar)	Deadband (bar)	Maximum working pressure (bar)	Proof pressure (bar)
131P					
2	0,1+1,7	0,7+1,65	0,1	69	138
3	1,4+3,2	1,1+2,9	0,3	69	138
4	0,7+4,0	0,7+3,4	0,6	69	138
5	3,7+7,5	3,0+7,0	0,6	69	138
6	7,1+11,2	6,2+10,3	0,9	69	138
7	10,7+14,9	9,7+13,8	1,1	69	138

## CODE EXPLANATION

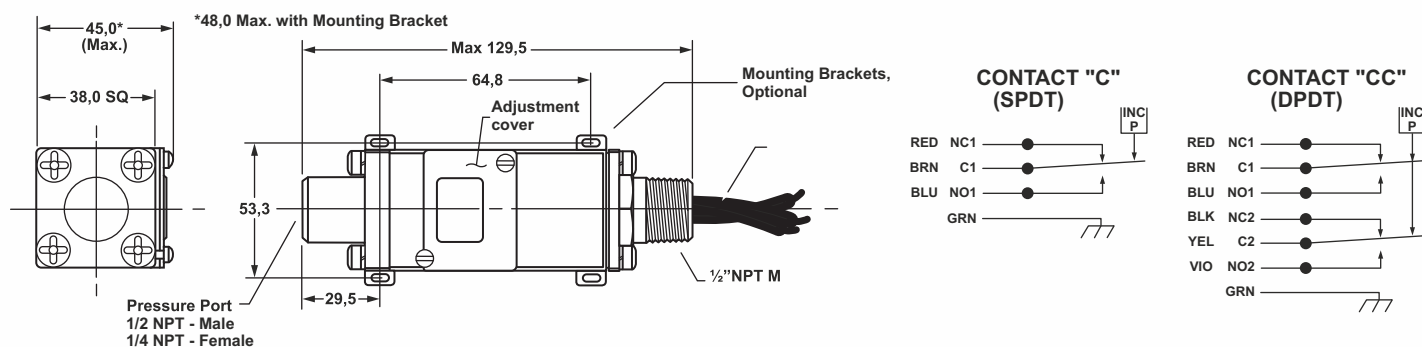
**TYPE**  
 131P Explosion Proof diaphragm adjustable pressure switch

**WETTED MATERIALS**  
 1 Aluminum port, polyimide diaphragm, Buna-N O-Ring  
 4 316 ss port, polyimide diaphragm, Buna-N O-Ring

**ADJUSTABLE RANGE**  
 2 0,1 + 1,7 bar increasing - 0,7 + 1,65 bar decreasing  
 3 1,4 + 3,2 bar increasing - 1,1 + 2,9 bar decreasing  
 4 0,7 + 4,0 bar increasing - 0,7 + 3,4 bar decreasing  
 5 3,7 + 7,5 bar increasing - 3,0 + 7,0 bar decreasing  
 6 7,1 + 11,2 bar increasing - 6,2 + 10,3 bar decreasing  
 7 10,7 + 14,9 bar increasing - 9,7 + 13,8 bar decreasing

**ELECTRICAL CONTACTS**  
 C 11 amp, 1/4 hp @ 125 or 250 VAC; 5 amp resistive, 3 amp inductive @ 28 VDC; .5 amp resistive @ 125 VDC  
 CC 11 amp, 1/4 hp @ 125 or 250 VAC; 5 amp resistive, 3 amp inductive @ 28 VDC; .5 amp resistive @ 125 VDC

**OPTIONS**  
 A Epoxy paint exterior - for severe environments  
 B Viton O-Ring  
 C EPR O-Ring  
 D SIL approval and marking, per IEC61508 (FMEA report)  
 E 7/16" - 20 SAE Female Port  
 G 1/2 NPT Female Port  
 H 316 stainless steel body (Wetted Material 4 only)  
 I 3/4 NPT conduit box with terminal strip (no with N option)  
 J Annealed stainless steel port screws for H2S for reduced system and proof pressure ratings (No with Z option)  
 M Gold electrical contacts for extremely low current (1 Amp at 125 VAC; 1 Amp Res, 0.5 Amp Ind. at 28 VDC)  
 N ATEX and IECEx with CE Mark  
 R 72" Electrical free leads  
 S Stainless steel diaphragm  
 V 1/4 NPT male port  
 Z Mounting bracket kit (Not available with J option)



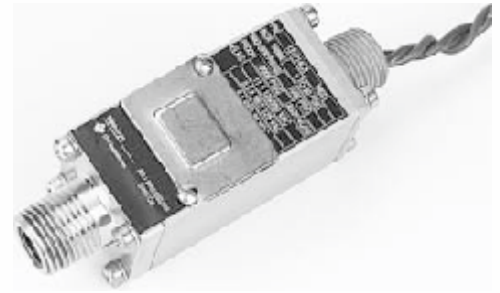
# ADJUSTABLE PRESSURE SWITCHES ATEX-CSA TYPE 131P/231P

Execution: Explosion proof, hermetically-sealed Eexd IIC T6  
 Certification: ATEX, CSA, CENELEC  
 Contacts: Changeover, SPDT or DPDT  
 Electrical Listings: Snap action electrical switch assemblies, Part Numbers 057-0770 & 057-0772 (Form C) and 057-0771 & 057-0773 (Form CC), are listed by Underwriters' Laboratories, Inc., FM Approvals, CSA International and NCC (INMETRO). See the miscellaneous option N for additional listings.

Working temperature: Ambient -40 +180 °C  
 Fluid -40 +300 °C

Electrical connections: 1/2 NPT male conduit connection with PVC insulated 18 AWG, 18" long leads

Pressure connections: 1/4 NPT Female and 1/2 NPT Male  
 Adjustment: Internal, slotted adjustment wheel



## ORDERING CODE

**231P 1 4 C6 BM**

<b>TYPE</b>	231
<b>WETTED MATERIALS</b>	1 - 4
<b>ADJUSTABLE RANGE</b>	3 - 4 - 5 - 6 - 7 - 8
<b>CONTACTS</b>	C6 - CC6
<b>OPTIONS</b>	A - B - C - D - E - G - H - I - J M - N - R - S - V - Z

Adjustable Range	Increase Range (bar)	Decrease Range (bar)	Deadband (bar)	Maximum working pressure (bar)	Proof pressure (bar)
231P					
3	23+55	17+50	6	276	345
4	51+82	41+72	10	276	345
5	69+207	48+183	21	414	552
6	197+335	166+304	31	414	552
7	317+483	283+449	34	552	690
8	449+690	380+621	69	862	1035

## CODE EXPLANATION

### TYPE

231P Explosion Proof piston adjustable pressure switch

### WETTED MATERIALS

1 Aluminum port and piston, teflon seal, Buna-N O-Ring (Not available for range 8)  
 4 316 ss port and piston, teflon seal, Buna-N O-Ring

### RANGE 232

3 23 + 55 bar increasing - 17 + 50 bar decreasing  
 4 51 + 82 bar increasing - 41 + 72 bar decreasing  
 5 69 + 207 bar increasing - 48 + 183 bar decreasing  
 6 197 + 335 bar increasing - 166 + 304 bar decreasing  
 7 317 + 483 bar increasing - 283 + 449 bar decreasing  
 8 449 + 690 bar increasing - 380 + 621 bar decreasing

### CONTACTS

C 11 amp, 1/4 hp at 125 or 250 VAC; 5 amp resistive, 3 amp inductive at 28 VDC; .5 amp resistive at 125 VDC  
 CC 11 amp, 1/4 hp at 125 or 250 VAC; 5 amp resistive, 3 amp inductive at 28 VDC; .5 amp resistive at 125 VDC

### OPTIONS

A Epoxy paint exterior - for severe environments  
 B Viton O-Ring  
 C EPR O-Ring  
 D SIL approval and marking, per IEC61508 (FMEA report)  
 H 316 stainless steel body (Wetted Material 4 only)  
 I 3/4 NPT Conduit box with terminal strip (no with N option)  
 J Annealed stainless steel port screws for H2S environments for reduced system and proof pressure ratings  
 M Gold electrical contacts for extremely low current  
 N ATEX and IECEx with CE Mark  
 R 72" Electrical free leads  
 Z Mounting bracket kit

N.B. Non-catalog adjustable range and/or set point, deadband and proof pressure

