

# PADDLE FLOW SWITCHES TYPE CM2K

## CHARACTERISTICS

Fluids: Water and clean fluids  
 Max. Temperature: 110 °C  
 Max. Pressure: 25 bar  
 Pressure lost: 0,15 bar @ max flow rate  
 Accuracy: ±15% F.S.  
 Process connection: 1" Gas Male  
 Mounting: Pipe Dn25 ÷ 200 mm (1"÷8")  
 weight: 350 gr  
 Switch: Microswitch SPDT  
 Contact rating: 5 A @ 250 Vac  
 Supply: 250 Vac  
 Protection: IP 65 - DIN 43650 Connector



## SETTING RANGES

DN	Q max m <sup>3</sup> /h	D1 mm	Setting Ranges m <sup>3</sup> /h H <sub>2</sub> O	Paddle N.
25	3,6	30	0,9 - 1,0	1
32	6	39	2,3 - 2,7	1
40	9	41	2,8 - 3,4	1
50	15	51	6,5 - 7,5	1
			1,9 - 2,4	1+2
65	24	72	11,4 - 13,3	1
			4,8 - 5,7	1+2
80	36	81	16,5 - 18,9	1
			7,6 - 8,9	1+2
			2,7 - 3,5	1+2+3
100	60	101	26,3 - 30,3	1
			13,3 - 15,3	1+2
			6,7 - 8,4	1+2+3
			5,4 - 6,7	1+2+3+4
150	120	151	31,0 - 40,0	1+2+3
			8,6 - 15,0	1+2+3+4
200	240	206	55,0 - 71,0	1+2+3
			16,0 - 27,0	1+2+3+4

Setting ranges for horizontal mounting and decreasing flow.  
 Reference passage diameter D1.

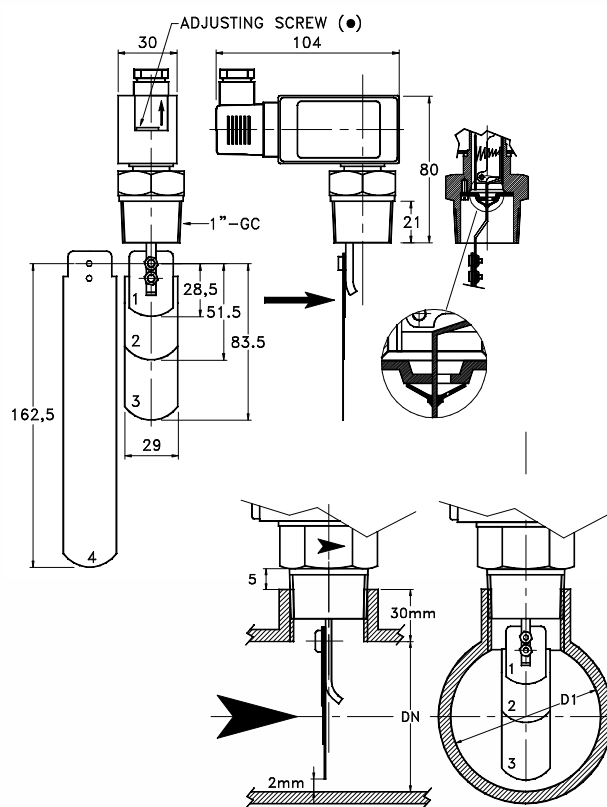
## ELECTRICAL DATA

Contact	SPDT	Microswitch
Contact ratings	250V - 5A	
Electrical connection	Plug	DIN 43650A
Degree of protection	IP 65	

## NOMENCLATURE and MATERIALS

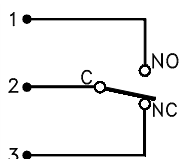
MODELLO	CM2K - 025HM	CM2K - 025HK
Body	Nickel plated brass	S.S. 1.4571
Paddle	S.S. 1.4301	S.S. 1.4301
	S.S. 1.4571	S.S. 1.4571
Paddle holder	S.S. 1.4305	S.S. 1.4305
Protection bellow	NBR	NBR
Spring	S.S. 1.4301	S.S. 1.4310
Magnet	Oxid 300	Oxid 300

## DIMENSIONS



Check that the paddle does not touch the bottom of the pipe.  
 If necessary cut it and adjust at the length as indicated.

## WIRING AND SETTINGS



### Adjusting the switch point ( )

Lift the safety cover on the electric head and turn the adjustment screw clockwise to increase sensitivity.

Paddle 1 DN25  
 Paddle 2 DN50  
 Paddle 3 DN80  
 Paddle 4 ≥ DN100