

ULTRASONIC LEVEL TRANSMITTER TYPE 8176 / 8177



G thread process connection

- Two-wire
- Reliable non-contact measurement
- HART configuration



Type 8176



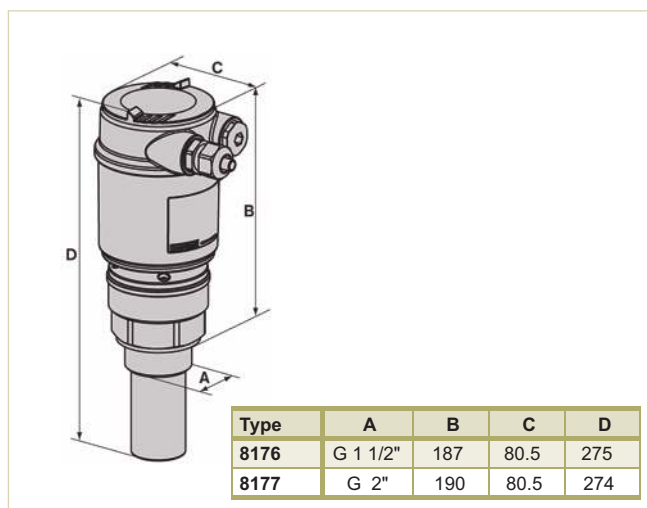
Type 8177

Ultrasonic level transmitters for non-contact measurement of process liquids and solids. Standard HART and 4-20mA HART compatible output.

Technical Data

Housing / Cover	PBT, Stainless steel 316L / PC
Seal ring / Ground terminal	NBR / Stainless steel 316Ti/316L (1.4571/1.4435)
Seal	EPDM
Transducer	PVDF
Display	LCD in full dot matrix
Ambient temperature	-20 °C – +70 °C
Voltage supply	2-wire, 14 to 36 V DC (10-30 VDC for Ex)
Current consumption max.	22 mA
Electrical connections	Cable glands M20 x 1.5
Outputs	4...20 mA/HART
Output load max.	See datasheet
Measuring range:	8176: up to 5m 8177: up to 8m
Beam angle	11°
Accuracy	< 0.2% or ± 4mm
Process temperature	-40 °C – +80 °C
Temperature coefficient	0.06%/10K
Ingress protection	IP66/IP67, with M20 x 1.5 gland mounted and tightened

Envelope Dimensions [mm] see datasheet for details)



Options

- Ex versions (part numbers are shown, please see datasheets for details)

Ordering Chart (versions with display)

Type	Process connection [inch]	Range (liquids)	Range (solids)	Electrical connection	Item no.
8176 Standard	G 1 1/2" ISO 228	0.25-5 m	0.25-2 m	M20 cable gland	558 220
8176 Ex	G 1 1/2" ISO 228	0.25-5 m	0.25-2 m	M20 cable gland	558 222
8177 Standard	G 2" ISO 228	0.4-8 m	0.4-3.5 m	M20 cable gland	558 224
8177 Ex	G 2" ISO 228	0.4-8 m	0.4-3.5 m	M20 cable gland	558 226