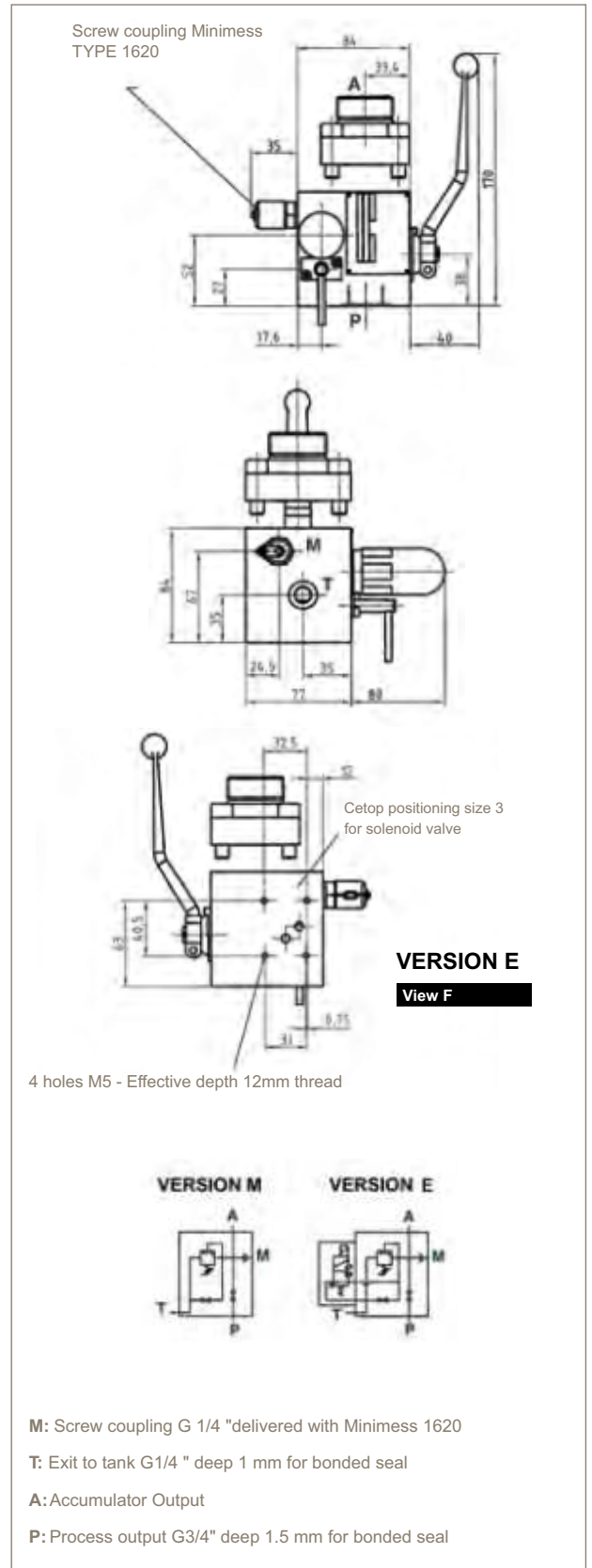
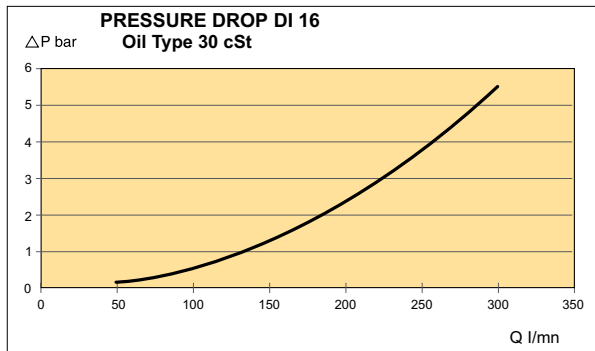


ACCUMULATOR SAFETY BLOCK TYPE DI16 / DI24

TECHNICAL DETAILS DI16:

- **Size:** Diameter 16 mm
- **Maximum Working Pressure:** Manual version 350 bar
Electrical version 350 bar
- **Weight without connector:** Manual version 4,3 kg
Electrical version 5,8 kg
- **Materials:** Carbon Steel. (Fluids Group 2 (PED))
- **Working Temperature:** Manual version -15°C ... + 70 °C
Electrical Version -15°C ... +50 °C
- **Supply:** DC 24 V ,AC 230 V 50/60 Hz
- **Protection:** Standard IP 65, DIN43650 Connector,
Nominal Power 30 W
- **Power connection / hydraulic rebound:** See drawings
- **safety Valve:** Diameter 6 mm
- **Flow:** See below diagram

On request, Possibility to install a flow control valve.



Above dimensions are in mm and are subject to manufacturing tolerances.

ACCUMULATORS SAFETY BLOCK TYPE DI16 / DI24

MANUAL SAFETY BLOCK STANDARD EXECUTION TYPE DI 16

Materials Body Carbon Steel, FKM seal. Temperature -15°C ... 70°C.
Max. working pressure 350 Bar. In according to PED 97/23/EC

Accumulator Connection	Model
EHV 0,5 up to 1,6 L G3/4"	DI16MS/2/210 CV
EHV 0,5 up to 1,6 L G3/4"	DI16MS/2/250 CV
EHV 0,5 up to 1,6 L G3/4"	DI16MS/2/330 CV
EHV 0,5 up to 1,6 L G3/4"	DI16MS/2/350 CV
EHV 2,5 up to 10 L G1"1/4	DI16MS/1/210 CV
EHV 2,5 up to 10 L G1"1/4	DI16MS/1/250 CV
EHV 2,5 up to 10 L G1"1/4	DI16MS/1/330 CV
EHV 2,5 up to 10 L G1"1/4	DI16MS/1/350 CV
EHV 10 up to 50 L G2"	DI16MS/3/210 CV
EHV 10 up to 50 L G2"	DI16MS/3/250 CV
EHV 10 up to 50 L G2"	DI16MS/3/330 CV
EHV 10 up to 50 L G2"	DI16MS/3/350 CV

SAFETY BLOCKS STANDARD EXECUTION TYPE 16 ELECTRICAL VERSION

Materials Body Carbon Steel, FKM seal. Temperature -15°C ... 70°C.
Max. working pressure 350 Bar. In according to PED 97/23/EC

Accumulator Connection	With Solenoid valve 24 VDC
	Type
EHV 0,5 up to 1,6 L G3/4"	DI16EYS/2/210 CV
EHV 0,5 up to 1,6 L G3/4"	DI16EYS/2/250 CV
EHV 0,5 up to 1,6 L G3/4"	DI16EYS/2/330 CV
EHV 0,5 up to 1,6 L G3/4"	DI16EYS/2/350 CV
EHV 2,5 up to 10 L G1"1/4	DI16EYS/1/210 CV
EHV 2,5 up to 10 L G1"1/4	DI16EYS/1/250 CV
EHV 2,5 up to 10 L G1"1/4	DI16EYS/1/330 CV
EHV 2,5 up to 10 L G1"1/4	DI16EYS/1/350 CV
EHV 10 up to 50 L G2"	DI16EYS/3/210 CV
EHV 10 up to 50 L G2"	DI16EYS/3/250 CV
EHV 10 up to 50 L G2"	DI16EYS/3/330 CV
EHV 10 up to 50 L G2"	DI16EYS/3/350 CV

Otions and Accessories

Type	Solenoid Valve Supply voltage
ELECTRO-VALVE T3	24 VCC
ELECTRO-VALVE T3	110/120VA 50/60 Hz
ELECTRO-VALVE T3	220/230VA 50/60 Hz
REGULATION BLOCK	R16
FLANGE M 3/4" GAS CYL Connection Accumulator Side	
FLANGE M 1"1/4 GAS CYL Connection Accumulator Side	
FLANGE M 2" GAS CYL Connection Accumulator Side	
RELIEF VALVE CE	210
RELIEF VALVE CE	250
RELIEF VALVE CE	330
RELIEF VALVE CE	350

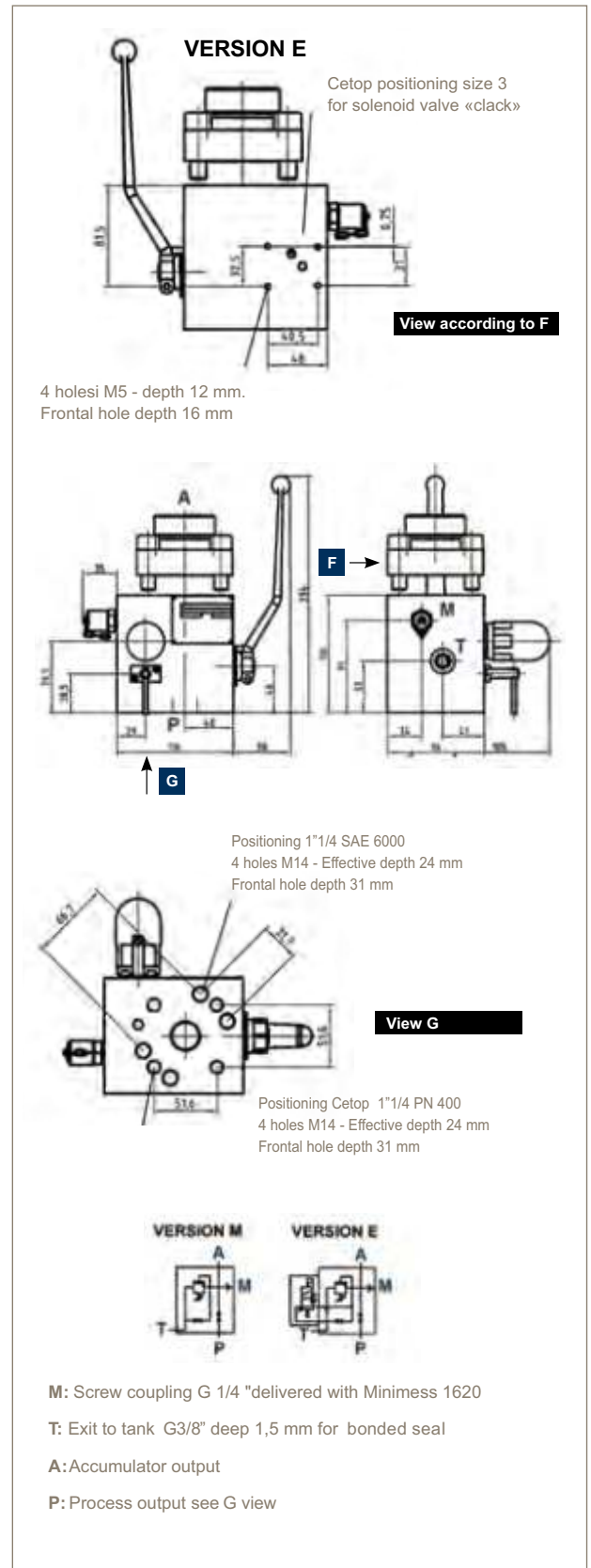
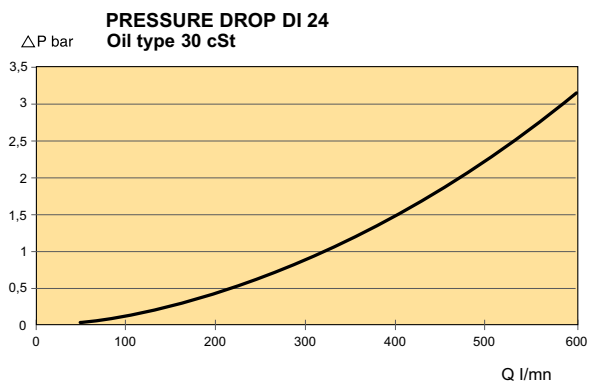


ACCUMULATORS SAFETY BLOCK TYPE DI16 / DI24

TECHNICAL DETAILS DI 24:

- **Size:** Diameter 24 mm
- **Maximum working pressure:** Manual version 350 bar
Electrical version 350 bar
- **Weight without connector:** Manual version 9,5 kg
Electrical version 11 kg
- **Materials:** Carbon steel
- **Working temperature:** Manual version -15°C ... + 70 °C
Electrical version -15°C ... +50 °C
- **Supply:** DC 24 V ,AC 230 V 50/60 Hz
- **Protection:** Standard IP 65, DIN43650 Connector
Nominal Power 30 W
- **Power Connection / Hydraulic rebound:** See drawing
- **Safety valve:** Diameter 10 mm
- **Flow:** See below diagram

On request, Possibility to install a flow control valve.



ACCUMULATORS SAFETY BLOCK TYPE DI16 / DI24

MANUAL SAFETY BLOCK STANDARD EXECUTION TYPE DI 24

Materials Body Carbon Steel, FKM seal. Temperature -15°C ... 70°C.
Max. working pressure 350 Bar. In according to PED 97/23/EC

Accumulator connection	Type
EHV 2,5 up to 10 L G1"1/4	DI24MS/1/330CV
EHV 2,5 up to 10 L G1"1/4	DI24MS/1/350CV
EHV 10 up to 50 L G2"	DI24MS/3/210CV
EHV 10 up to 50 L G2"	DI24MS/3/250CV *
EHV 10 up to 50 L G2"	DI24MS/3/330CV *
ACCU PISTON 10 up to 50 L G2"&EBV 100 and 200 L	Su richiesta

* without solenoid valve

ELECTRICAL SAFETY BLOCKS STANDARD EXECUTION TYPE DI 24

Materials Body Carbon Steel, FKM seal. Temperature -15°C ... 70°C.
Max. working pressure 350 Bar. In according to PED 97/23/EC

Accumulator Connection	With Solenoid valve 24 VDC
	Type
EHV 2,5 up to 10 L G1"1/4	DI24EYS/1/210CV
EHV 2,5 up to 10 L G1"1/4	DI24EYS/1/250CV
EHV 2,5 up to 10 L G1"1/4	DI24EYS/1/330CV
EHV 2,5 up to 10 L G1"1/4	DI24EYS/1/350CV
EHV 10 up to 50 L G2"	DI24EYS/3/210CV
EHV 10 up to 50 L G2"	DI24EYS/3/250CV
EHV 10 up to 50 L G2"	DI24EYS/3/330CV
PISTON ACCUMULATOR 10 ... 50 Lt G2" and EBV 100 ... 200 Lt	

Options and Accessories

Type	Solenoid valve supply
ELECTRO-VALVE T3	24 VCC
ELECTRO-VALVE T3	110/120 V 50/60 Hz
ELECTRO-VALVE T3	220/230 V 50/60 Hz
FLOW CONTROL	R24
FLANGE M 1"1/4 GAZ CYL CONNECTION ACCUMULATOR SIDE	
FLANGE M 2" GAZ CYL CONNECTION ACCUMULATOR SIDE	
RELIEF VALVE CE	210 BAR
RELIEF VALVE CE	250 BAR
RELIEF VALVE CE	330 BAR
RELIEF VALVE CE	350 BAR

