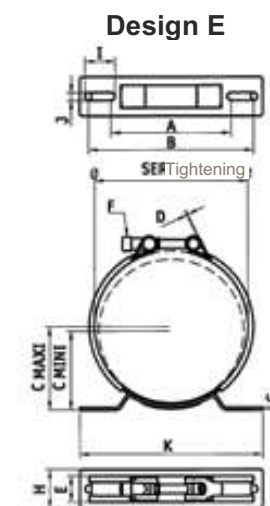
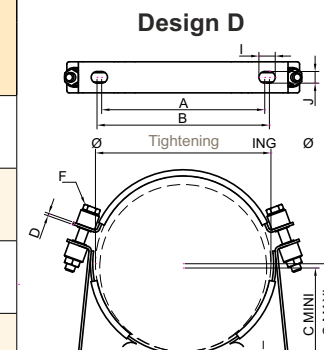


HYDRAULIC ACCUMULATORS ACCESSORIES TYPE CLAMPS & SUPPORT BRACKETS

CLAMPS

Type Part number	Design	RECOMMENDED Min to Ma TIGHTENING Ø mm	Type	Dimensions in mm												Recommended tightening torque N.m	Recommended max allowable weight if vertical equipment kg	Recommended max allowable weight if horizontal equipment kg
				A	B	C		D	E	F	G	H	I	J	K			
						Min	Max											
A56 20149203625	E	54 to 56	A56	92	102	36	36	3	37	M10x80	3	31	14	9	134	7	10	30
E95 20250803648	E	87 to 97	E95	88	140	61.5	66.5	1.5	28	M8x75	3	40	35	9	155	7	30	90
E106 20250903648	E	99 to 109	E106	88	140	68	73	1.5	28	M8x75	3	40	35	9	155	7	30	90
E114 20251003648	E	112 to 124	E114	88	140	73	78	1.5	28	M8x75	3	40	35	9	155	7	30	90
E136 20251103648	E	128 to 138	E136	88	140	80	85	1.5	28	M8x75	3	40	35	9	155	7	30	90
E155 20251203648	E	146 to 157	E155	137	189	81	86.5	1.7	30	M10x80	3	45	35	9	210	10.5	60	60
E160 20259003648	E	155 to 165	E160	137	189	86.88	91.88	1.7	32	M10x80	3	45	35	9	210	10.5	60	60
E168 20251303648	E	166 to 176	E168	137	189	92	96	1.7	30	M10x80	3	45	35	9	210	10.5	60	60
E180 20243203625	E	178 to 184	E180	137	189	97	100	2	35	M10x80	4	65	35	9	210	10.5	60	60
D215 20251403648	D	215 to 219	D215	210	222	123	125	3	36	M12x70	3	40	21	15	266	9	65	110
D226 20251503648	D	215 to 226	D226	210	222	119	122.5	3	35	M12x80	3	40	21	15	270	11	75	150
D368 20127403625	D	363.5 to 368	D368	334	346	198.5	201	3	36	M12x75	3	50	21	15	420	11	50	80

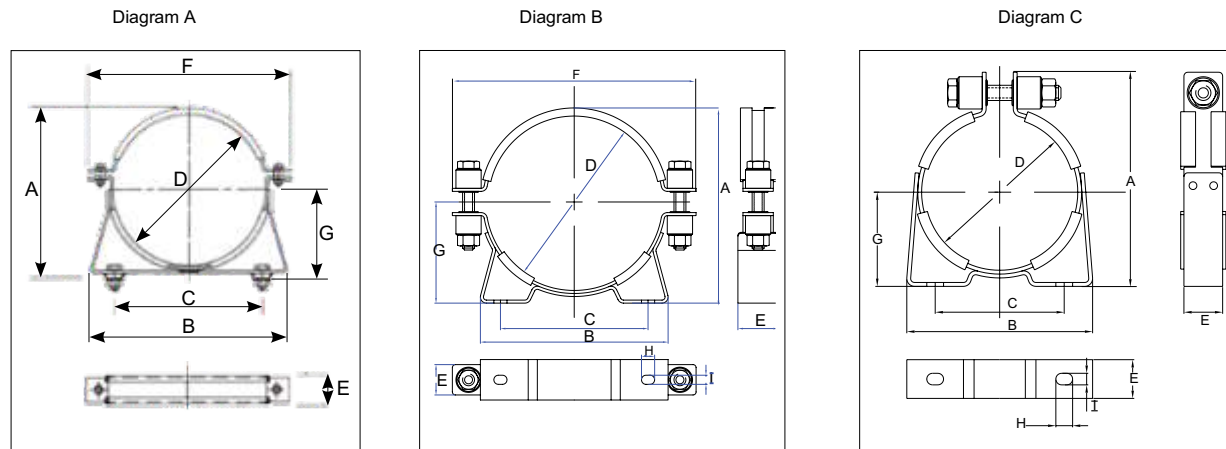


HYDRAULIC ACCUMULATORS ACCESSORIES TYPE CLAMPS & SUPPORT BRACKETS

CLAMPS

Materials: Stainless Steel with Nitrile rubber mouldings.

Part Number	Diagram	Accumulator Capacity (Litres)	Type	Dimensions in mm									Mounting Bolts	Mass kg
				A	B	C	D	E	F	G (ref)	H	I		
10957	C	0.6	10957	143	127	90	96	30	-	60	13	9	M8 x 30	0.59
10981	C	1 - 3	10981	137	144	100	111 - 116	30	-	73	13	9	M8 x 80	0.75
10982-DEE	B	4 - 9	10982	190	186	146	170	30	244	100	13	9	M8 x 80	1.25
10983	B	10 - 54	10983	250	267	211	218 - 228	40	306	129	21	15	M12 x 80	1.50
11060-DEE	A	12 - 54 HP2l	11060	270	280	220	256 - 261	40	345	140	10.5	10.5	M10 x 50	2



HYDRAULIC ACCUMULATORS ACCESSORIES TYPE CLAMPS & SUPPORT BRACKETS

SUPPORT BRACKETS

Type Part number	Models	Type	Design	Dimensions in mm												Weight kg
				A	B	C	H	I	J	K	L	M	N	R	S	
CE89 20151903620	Accumulators 1 to 5 Litres	CE89	A	89	101	125	73	140	75	13	25	60	75	130	-	0.8
CE108 20118703620	EHV 4 & 6 & 10 Litres	CE108	A	108	120	150	92	175	95	17	25	80	160	210	-	1.5
CE159A 20109003620	Accumulators 10 to 50 Litres < 550 Bar	CE159A	B	159	170	200	123	235	115	17	25	100	200	260	40	2.9
CE300 20150800100	Accumulators 100-200 Litres	CE300	B	300	-	-	200	380	-	20	50	300	375	475	200	30

