

# HYDRAULIC ACCUMULATORS TYPE EBV 20/40/50/80bar

## Type EBV 40 bar - Volumes 0,5 to 5 litri

Steel Body versions, NBR Bladder and Seal

Type	Effective gas Vol. Litres	Work pressure bar	Weight kg	Clamps x Quantity	O-ring ø int x ø tore	Support Bracket	Dimensions in mm						
							A max	B	C	øD max	ød	øH	øG
EBV 0.5-40/00*	0.5	40	1.2	E95	54x3	-	246	52	30	91	16	70	G 2" cyl.
EBV 1-40/00*	1	40	1.7	E106		CE 89	312	52	75	110	22.5	70	G 2" cyl.
EBV 2.5-40/90	2.5	40	3.5	E106		CE 89	486	51	75	109.5	22.5	70	G 2" cyl.
EBV 5-40/90	5	40	6.5	E106		CE 89	869	51	75	109.5	22.5	70	G 2" cyl.

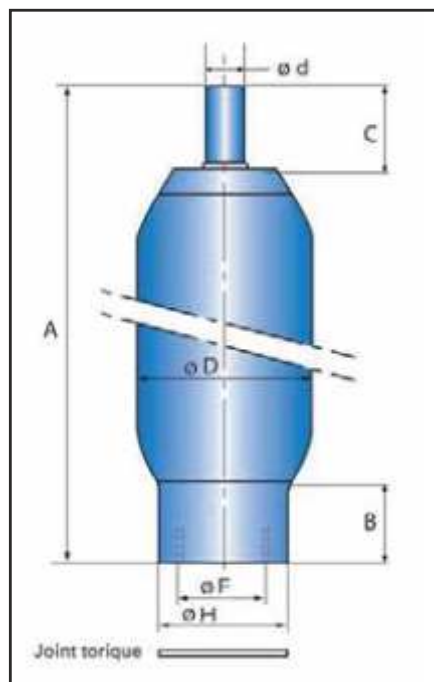
\* According to the PED, article 3.3

## Type EBV 50/80 bar - Volumes 0,5 to 5 litres

Steel Body versions, NBR Bladder and Seal

Type	Effective gas vol. Litres	Work pressure bar	Weight kg	Clamps x Quantity	O-ring ø int x ø tore	Support bracket	Dimensions in mm						
							A max	B	C	øD max	ød	øH	øG
EBV 0.5-50/00*	0.5	50	3	E95	54x3	-	245	52	28	90	16	68	G 2" cyl.
EBV 1-80/00*	1	80	5	E114		CE 89	310	47	66	116	22.5	68	G 2" cyl.
EBV 2.5-80/90	2.3	80	10	E114		CE 89	484	47	66	116	22.5	68	G 2" cyl.
EBV 5-80/90	5	80	17	E114		CE 89	867	47	66	116	22.5	68	G 2" cyl.

\* According to the PED, article 3.3



# HYDRAULIC ACCUMULATORS TYPE EBV 20/40/50/80bar

## Type EBV 20 bar - Volumes 100 to 575 litres

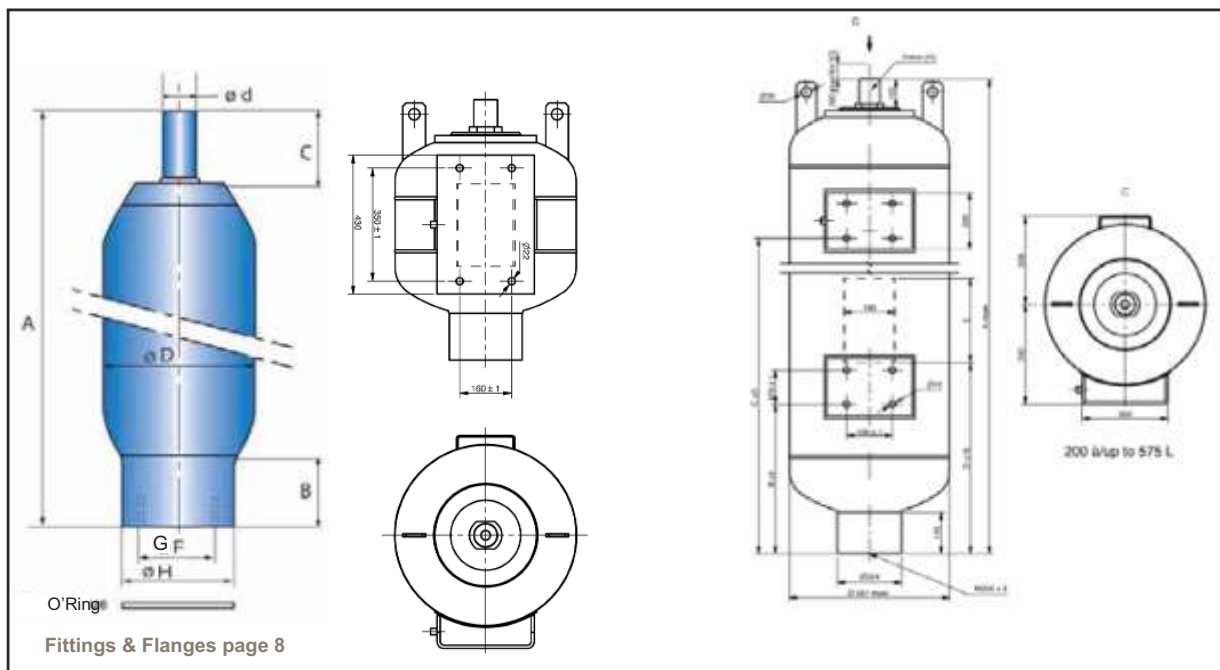
Steel Body versions, NBR Bladder and Seal

Type	Effective Gas Vol. Litres	Work pressure bar	Weight kg	Clamps x Quantity	O-ring ø int x ø tore	Bracket	Max flow rate l/min	Construction	Dimensions in mm						
									A max	B	C	øD max	ød	øH	øG
EBV 10-40/90	10	40	13	D215x2	96x4	CE 159A	900	1	454	51	75	212	22.5	120	G3½" cyl.
EBV 20-40/90	18	40	22	D215x2	96x4	CE 159A	900	1	774	51	75	212	22.5	120	G3½" cyl.
EBV 32-40/90	34	40	37	D215x2	96x4	CE 159A	900	1	1307	51	75	212	22.5	120	G3½" cyl.
EBV 50-40/90	50	40	51	D215x2	96x4	CE 159A	900	1	1829	51	75	212	22.5	120	G3½" cyl.
EBV 100-20/90	90	20	92	D368x2	196.21x5.33	CE 300	3000	2	1317	158	93	371	80	224	M205x3
EBV 100-40/90	90	40	110	D368x2	196.21x5.33	CE 300	3000	2	1319	158	93	371	80	224	M205x3
EBV 100-40/90	90	40	124	D368x2	196.21x5.33	CE 300	3000	3	1318	158	93	371	80	224	M205x3
EBV 200-20/90	202	20	171	D368x2	196.21x5.33	CE 300	3000	2	2528	158	93	371	80	224	M205x3
EBV 200-40/90	202	40	215	D368x2	196.21x5.33	CE 300	3000	3	2529	158	93	371	80	224	M205x3
EBV 200-40/90	202	40	205	D368x2	196.21x5.33	CE 300	3000	2	2530	158	93	371	80	224	M205x3

## Type EBV 20 bar - Volumes 100 to 575 litres

Steel Body versions, NBR Bladder and Seal

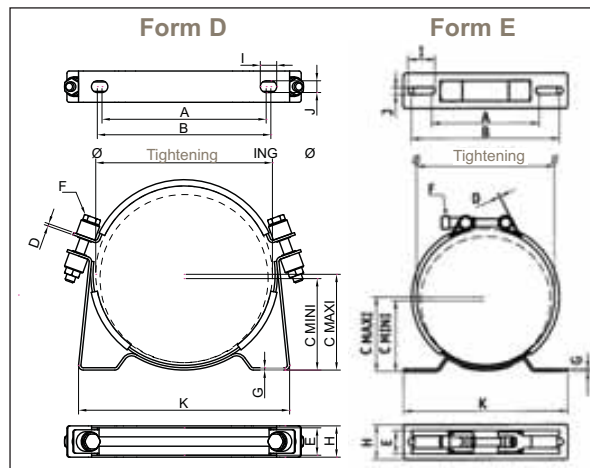
Type	Effective gas vol. Litres	Work pressure bar	Weight kg	O-ring ø int x ø tore	Dimensions in mm							
					A max	B	C	øD max	D	E	S	T
EBV 100-20/90	93	20	145	196.21 x 5.33	824	244	-	561	291.5	255	430	350
EBV 150-20/90	139	20	170		1027	345,5	-	561	373	295	430	350
EBV 200-20/90	207	20	208		1326	465	752	561	600	295	200	120
EBV 300-20/90	293	20	253		1702	522	1128	561	668	295	200	120
EBV 375-20/90	379	20	300		2083	522	1509	561	1049	295	200	120
EBV 475-20/90	473	20	350		2497	522	1923	561	1463	295	200	120
EBV 530-20/90	532	20	380		2756	522	2182	561	1722	295	200	120
EBV 575-20/90	565	20	400		2905	522	2231	561	1871	295	200	120



# HYDRAULIC ACCUMULATORS TYPE EBV 20/40/50/80bar

## Clamps

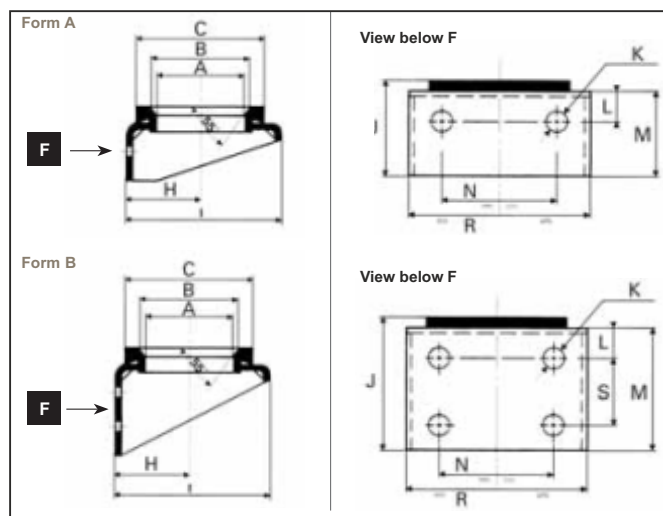
Type	Form	Diameter Min/Max recommended tightening	Dimensions in mm												Tightening torques N/m
			A	B	C		D	E	F	G	H	I	J	K	
					Min	Max									
E95	E	87/97	88	140	61.5	66.5	1.5	28	M8x75	3	40	35	9	155	7
E106	E	99/109	88	140	68	73	1.5	28	M8x75	3	40	35	9	155	7
E114	E	112/124	88	140	73	78	1.5	28	M8x75	3	40	35	9	155	7
E155	E	146/157	137	189	81	86.5	1.7	30	M10x80	3	45	35	9	210	10.5
D215	D	215/219	210	222	123	125	3	36	M12x70	3	40	21	15	266	9
D368	D	368/372	334	346	198.5	201	3	36	M12x75	3	50	21	15	420	11



## Support Brackets

Type	A	B	C	H	I	J	K	L	M	N	R	S	Weight
CE 89	89	101	125	73	140	75	13	25	60	75	130	-	0.8
CE 159A	159	170	200	123	235	115	17	25	100	200	260	40	2.9
CE 300*	300	-	-	200	380	-	20	50	300	375	475	200	30

\* Without rubber parts



# HYDRAULIC ACCUMULATORS TYPE EBV 20/40/50/80bar

## Fittings

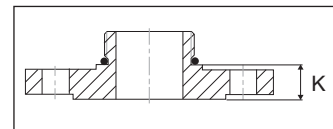
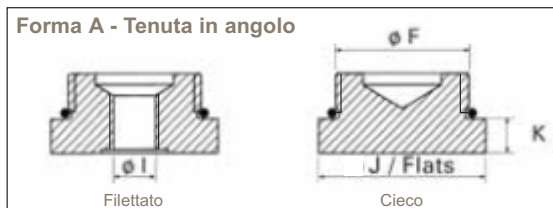
Volume Accumulatore	Attacco accumulatore øF	Riduzione ø l gas Cil.	J	K	O-Ring
EBV 0,5 to 5 L	G2" cyl.	1" Blind	65	13	54 x 3
EBV 10 to 50 L	G3 1/2" cyl.	2" Blind	112	20	96 x 4
EBV 100 to 575 L	M 205 x 3	2" Blind	2 opposite holes ø 8.5	20	196.21 x 5.33

Per volumi diversi contattateci

## Flange

Volume Accumulatore	K	
	PN 20 DN 40 1 1/2" ANSI 150 lbs	PN 50 DN 40 1 1/2" ANSI 300 lbs
EBV 0.5 to 5 L	22	25
EBV 10 to 50 L	28	37
EBV 100 to 575 L	142	151

Contattateci per volumi diversi



## Universal pressure checker / Pressurizer Type VGU

The VGU universal pressure checker/pressurizer is the instrument definitely needed to check nitrogen filling pressure and to fill and vent the nitrogen for all accumulators on the market up to a maximum working pressure of 340 bar. This device is screwed onto the accumulator valve and connected to the nitrogen source with a hose.

If the nitrogen pressure is only to be checked or reduced, this connection hose is not necessary. The unit is delivered in a standard version in a case containing:

- VGU universal pressure checker/pressurizer (M 28x1,50 outlet)
- Manometer kit 0 25 bar
- Manometer kit 0 250 bar
- Adapters for connection to a pressurization valves (7/8" - 5/8" - Vg8)
- 2,5 mt long hose, for connection to a source nitrogen
- 6 mm A/F allen wrench
- Spare seal kit
- Operating instructions in different languages



Notes: it can be supplied with the following on request: Manometer kit with a multiple-graduation scale  
Adapter for foreign nitrogen cylinders (indicate country)  
Flexible hose with a different length

### Technical Characteristics

Maximum working pressure	340 bar
Accumulator connection:	7/8" 14 UNF - 5/8" 18 UNF - 8V1 - M 28x1,5 - (Allen 6)
Flexible hose:	Approximately 2,5 mt long fitted with a G 1/4" Cyl. Female adapter at each end for connection to the pressure source and fitted to hose.
Connection to nitrogen cylinder:	Nut ø 21,7 x 1,814 SI, with a nitrogen source. Join-seal G 1/4" cyl.
Manometers:	ø 63 mm (glycerin-bath type) with G1/4" cyl. Rear outlet, fitted with a direct connection adapter for connection to a mininess connector. Two units scale 0÷25 and 0÷250 bar, with 1,6% accuracy. Other graduations on request