

INDUCTIVE CONDUCTIVITY TRANSMITTER TYPE 8226



For use with fitting DN15 - 200 mm

- For tough, demanding conductivity applications
- Proven design for harsh chemicals
- PEEK version for CIP solutions



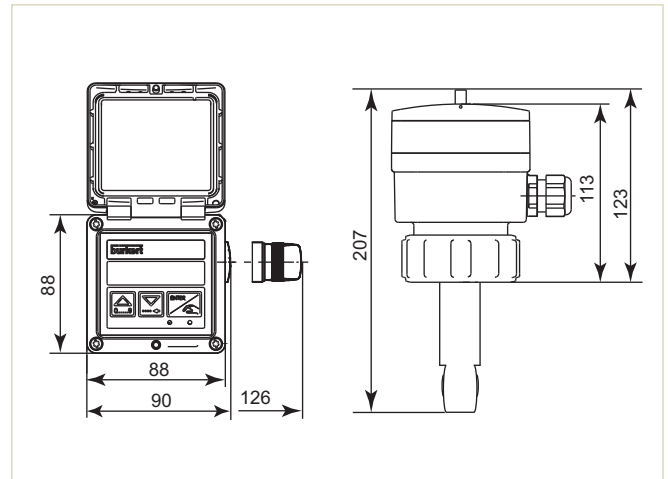
Please add fitting S020 from next page

Inductive / torroidal conductivity transmitter with programmable outputs. The analog 4-20 mA output is proportional to conductivity. The unit can be equipped with two 3A relays. The unit has a very wide measuring range.

Technical Data

Measuring range	100 μ S/cm ... 2 S/cm
Measuring error	\pm 2% of reading
Temperature compensation	Automatic via integrated temperature sensor
Available fitting materials	Brass, Stainless, PP, PVC, PVDF
Housing material	PC glass fibre (PVDF sensor); PPA glass reinforced fibre (PP or PEEK sensor)
Insertion finger	PVDF, PP or PEEK
O-rings	FKM or EPDM
Max. fluid temperature	-15 °C - +120 °C (depending on fitting material)
Max. fluid pressure	0-6 bar
Ambient temperature	0 °C - +60 °C
Storage temperature	0 °C - +60 °C
Ingress protection	IP65
Voltage supply	12...30 V DC
Electrical Protection	Reversed polarity of DC and peak protected
Outputs	4 ... 20 mA with/without 2 relays, 3A/230V
Output load	1000 Ω at 30 V 800 Ω at 24 V 450 Ω at 15 V 330 Ω at 12 V

Envelope Dimensions [mm] see data sheet for details)



Options

- Operating voltage 115/230 V AC
- Material Test Report for stainless steel fittings
- 1/2" conduit adapter kit (551 782)
- 1/2" conduit plug 2509 (162 673)

Ordering Chart for inductive conductivity transmitter

Material	Output	Gasket	Electrical connection	Item No
PP	4-20mA	FKM	EN175301-803 plug	558 768
	4-20mA + 2 relays	FKM	2 x M20 glands	558 770
PVDF	4-20mA	FKM	EN175301-803 plug	431 673
	4-20mA + 2 relays	FKM	2 x M20 glands	431 679
PEEK	4-20mA	EPDM	EN175301-803 plug	440 321
	4-20mA + 2 relays	EPDM	2 x M20 glands	440 324

INDUCTIVE CONDUCTIVITY TRANSMITTER TYPE 8226



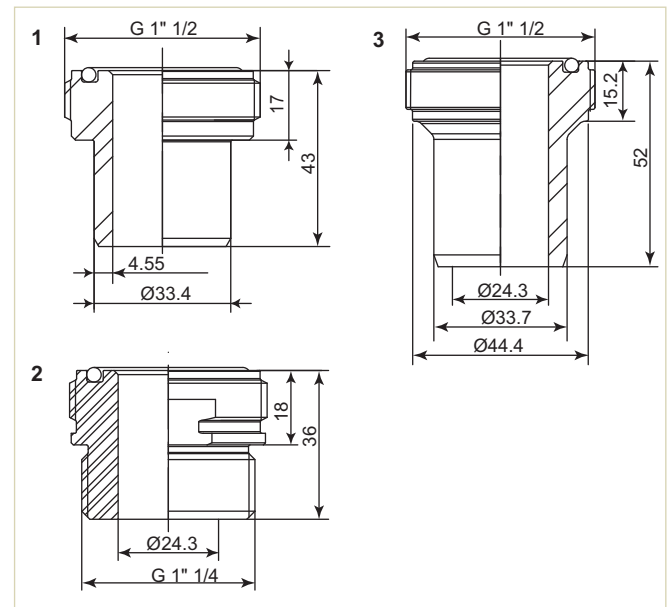
Dn32 - 110 mm adapters for pipe and tank mount fittings

- Simple installation guaranteed
- Range of chemically compatible materials
- Modular concept for pH, ORP and conductivity

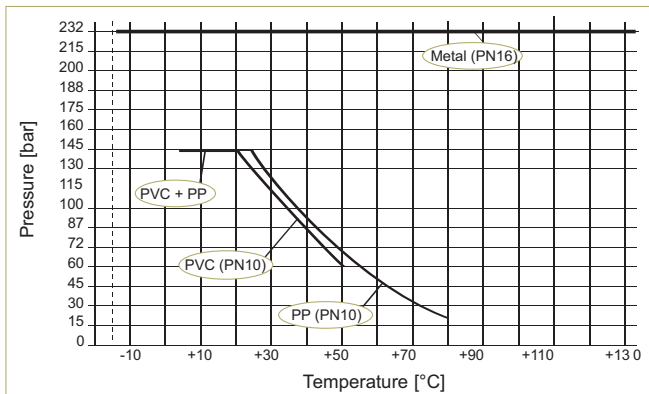


Fittings to connect the compact analytical transmitters to the media. Materials included are PVC-U, PP, Stainless steel, and PVC thread. For chemical resistance details please download our chemical resistance booklet from our website www.burkert.com

Envelope Dimensions [mm] see data sheet for details



Pressure / temperature chart



Note: Always take lowest max. medium temp. of both adapter and chosen ELEMENT transmitter.

Adaptation overview

Adaptor S022	Piping systems	DN	Description	Materials Body / Seal	Type of Installation	Item no.
1 PVC-U, PP metric or solvent adapter		32 up to 110 (06 up to 25 with reduction)	Solvent adaptor with G 1 1/2" external threaded for ELEMENT transmitter connection	PVC-U / FKM, EPDM	Solvent weld on d32x32 and d40x32 Tee fitting	560 705
2 Stainless steel**		Respect recommendations of installation	Welding adaptor with G 1 1/2" external threaded for ELEMENT transmitter connection	Stainless steel / FKM, EPDM	To weld directly on pipe	561 232
3 PVC-U, G or G 1 1/4" screw-on		Respect recommendations of installation	G 1 1/4" screw-on adaptor with G 1 1/2" external threaded for ELEMENT transmitter connection	PVC-U / FKM, EPDM	To screw on tank or pipe	560 707

** Please ask for Material Test Reports (MTRs) at time of ordering if required.