

ULTRASONIC LEVEL TRANSMITTER TYPE 8175

bürkert

G 2" connection

- Large display
- Simple setup and installation
- Remote tankside display available
- Measuring range up to 33 feet

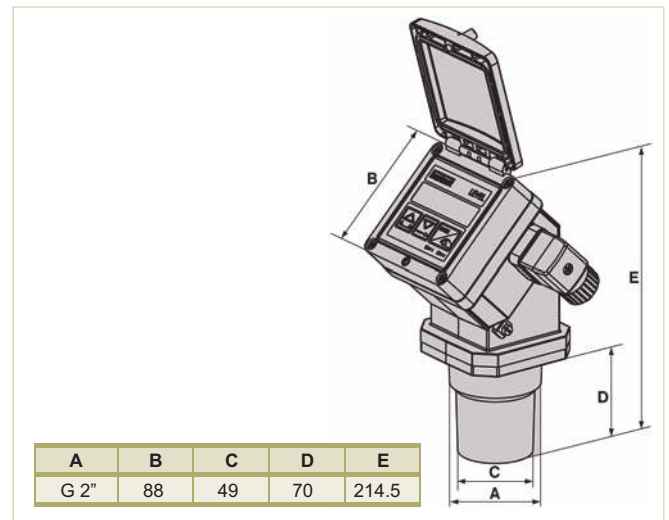


General purpose non-contact level transmitter with chemically resistant PVDF antenna measures from 0.3 to 10 metres. Output is normally 4-20mA. Output with optional 3 A relays.

Technical Data

Housing, cover / Probe	PC / PVDF
Display	8-digit LCD display
Ambient temperature	-20 °C – +60 °C
Voltage supply	3-wire, 18 to 32 V DC (or 115/230 V AC)
Current consumption max.	≤ 200 mA
Electrical connections	2 x M20 glands, or EN175301-803 plug
Outputs	4...20 mA or 4...20 mA + 2 relays freely configurable 3A, 250 VDC/VAC
Output load max.	1300 Ohms at 32 V DC, 550 Ohms at 18 V DC, 1100 Ohms at 115/230 V AC
Dead zone	0.3m
Measuring range	30cm – 10m
Beam angle	16° conical
Accuracy	± 0.25% of the measurement range
Process pressure	2 bar
Ingress protection	IP65, IP67 (enclosure sensor)

Envelope Dimensions [mm] see data sheet for details)



Options

- Remote display
- Two wire version (8176)

Ordering Chart

Voltage	Output	Connection	Item no.
18-32V DC	4-20mA	EN175301-803 plug	430 822
18-32V DC	4-20mA	2 x M20 glands	430 823
18-32V DC	4-20mA + 2 relays	2 x M20 glands	430 824
115/230V AC	4-20mA	2 x M20 glands	430 825
115/230V AC	4-20mA + 2 relays	2 x M20 glands	430 826