

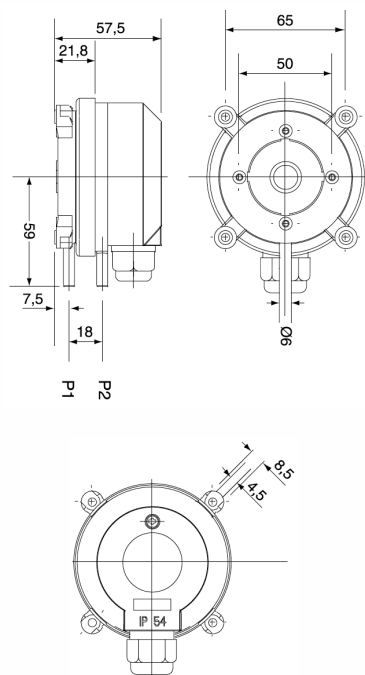
DIFFERENTIAL ADJUSTABLE PRESSURE SWITCHES TYPE DBL

Max voltage 250 Vca
 Current 1 A Res. 0,4 A Ind.
 Switch microswitch with SPDT contacts
 Differential mBar fixed - see schedule
 Working temperature: -20...+85°C 10...90% r.h. (without condensing)
 Storage: -40...+85 °C
 Materials: Housing PS
 Diaphragm silicone (LSR)
 Protection: IP54, class II
 Max size: Ø 118 x h 57,5 mm
 Weight: 180 ... 210 gr



TYPE	RANGE mbar	DIFFERENTIAL mbar	MAX WORKING PRESSURE mbar
DBL-205A	0,3 - 4,0	0,15 ± 15 %	100
DBL-205B	0,5 - 5,0	0,2 ± 15 %	100
DBL-205C	0,2 - 3,0	0,1 ± 15 %	100
DBL-205D	2,0 - 10,0	1,0 ± 15 %	100
DBL205E	5,0 - 25,0	1,5 ± 15 %	100
Accessories	DBZ-06 - Connection set with 2 PVC duct connectors, 2 m flexible PVC pipe and 4 screws		
	DBZ-14A - Set with mounting bracket and screws		
	DBZ-14B - Set with mounting bracket and screws		

DIMENSIONS (mm)



WIRING DIAGRAM

The contact 2 - 3 closes and the contact 1 - 3 opens when the differential pressure rises (fig. 1).

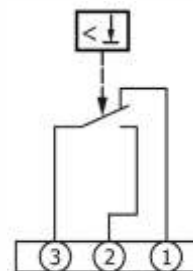


fig. 1