

ADJUSTABLE PRESSURE SWITCH IP65 TYPE PF243L

Max Voltage:	48 V
Current:	0,5 A Resistive
Certification:	CE
Contact:	SPST-NO (Normally Open) SPST-NC (Normally Closed)
Electrical Connection:	Faston 6,3 x 0,8
Standard Materials:	Zinc Plated Steel Body HNBR Diaphragm/Gasket Switch housing Nylon 6/6 Silver plated contact
Electrical Protection:	IP65 with CP65L Protection cap
Mechanical life:	10 ⁶ cycles (Membrane)
Setting:	Internal Screw
Mounting:	Hexagonal body Sw24

PF243L



CP65L



Rev.03/2016

ORDERING CODE

PF243L 10 BR V C 14 T5D

TYPE

Faston Pressure Switch SW24

ADJUSTABLE RANGE

1 - 2 - 10 - 20 - 50 - 300

BODY MATERIALS

ZP - BR - SS3 - SS6

MEMBRANE MATERIALS

HN - NB - V - S - E - SS

ELECTRICAL SWITCH

O - C

CONNECTIONS

18 - 14 - 10K - 18C - 14C

SPECIAL EXECUTIONS

T - TD - G - SG - ST** - SW

CODE EXPLANATION

TYPE

PF243L Faston Adjustable Pressure switch, IP65 protection

RANGE

1	0,1 ÷ 1 bar
2	0,2 ÷ 2 bar
10	1,5 ÷ 10 bar
20	9 ÷ 20 bar
50	15 ÷ 50 bar
300	40 ÷ 300 bar

BODY MATERIAL

ZP	Zinc Plated Steel (standard)
BR	Brass Max Press. 80 bar (Only range 1, 2, 10 bar)
SS3	Stainless Steel AISI 303
SS6	Stainless Steel AISI 316

DIAPHRAGM/GASKET MATERIALS/TEMPERATURE

HN	HNBR	-20 ... +120 °C (standard)
NB	NBR	-20 ... +90 °C
V	FKM	-25 ... +120 °C
S	Silicone	-40 ... +140 °C
E	EPDM	-20 ... +120 °C
SS	Stainless Steel	-30 ... +140 °C (P. Max 80 bar)

ELECTRICAL CONTACT

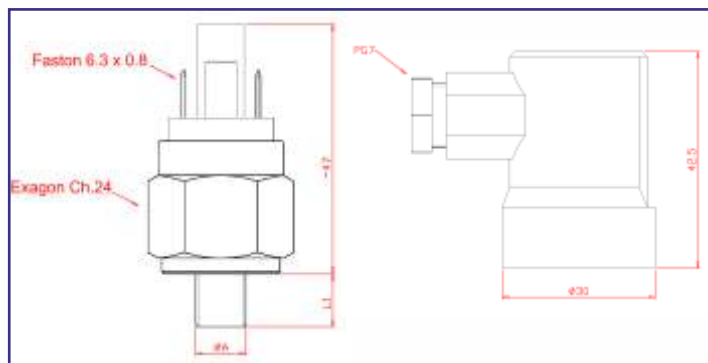
O	SPST Normally Open
C	SPST Normally Closed

CONNECTIONS Quote A

18	1/8 Gas Taper L1=10 mm
14	1/4 Gas Taper L1=12 mm
10K	M10 x 1 Taper L1=10 mm
18C	1/8 Gas Parallel L1=10 mm
14C	1/4 Gas Parallel L1=12 mm

SPECIAL EXECUTIONS

T	Rising set point @ indicated value
TD	Falling set point @ indicated value
G	Gold plated Contact for low current
SG	Degreased for oxygen
TG	Tested for Gas
ST**	Special threads (NPT, SAE, Metrico etc...)
SW	Special wiring (Automotive, Integrated/free connector etc...)



Type	Adjustable Range (bar rel.)	Maximum static pressure bar	Fixed hysteresis @ 25°C (bar)	Set-point tolerance @ 25°C (bar)	Execution
PF243L					
1	0,1 ÷ 1	350	0,08	± 0,08	Membrane
2	0,2 ÷ 2	350	0,13	± 0,15	Membrane
10	1,5 ÷ 10	350	0,20	± 0,5	Membrane
20	9 ÷ 20	350	0,35	± 1,0	Membrane
50	15 ÷ 50	350	1,5	± 2,0	Membrane
300	40 ÷ 300	600	15	± 15	Piston