

DOUBLE-ACTING SHUT-OFF TYPE FT257/2

They allow flow control in both directions.

They are equipped with a needle so to obtain:

- metallic seal;
- flow linearity at the opening;
- accurate control for a wide range of flow rate.

A double reference system made up of a decimal scale on the handle and of a keyed metal ring with graduated fractional scale and divided into sectors allows the identification of flow conditions.

A locking screw in the handle ensures stable flow values preventing accidental adjustments or movements due to vibrations.

A ring nut (G) is used to carry out the panel mounting, on request.

On request

- Versions AISI 316 code FT 2257/2
- Viton seals (V)
- NPT Threads
- Equipped with ring nuts (G)
- Handlewheel in ABS (mp)

MATERIALS STANDARD EXECUTION

Body	9 S Mn Pb 23 - UNI 5105
Needle	1 C 40 - UNI 8373
OR	Mescola nitrilica
Antiextrusion ring	PTFE
Valvola ritegno	38 NiCrMo 4 - UNI - EN10083
Knob	GD Al Si 12 - UNI 5706
Knob (mp)	ABS

EXAMPLE FOR ORDERING

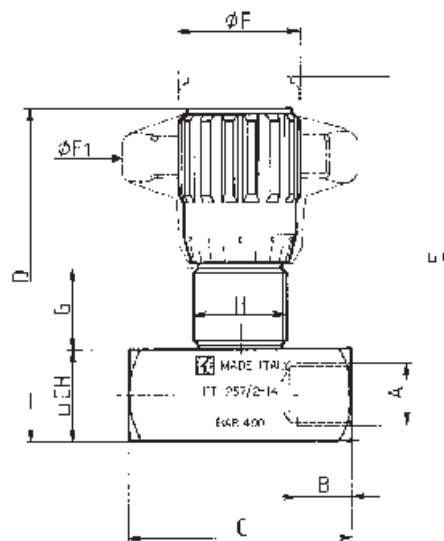
	Code	Type	Panel ring nut	Viton seal	Knob plastic
Steel	FT 257/2	18	G	V	mp
St. Steel	FT 2257/2	34	G	V	mp

DIMENSIONS

Type	A UNI 338	B	C	D	E	ØF	ØF1	G	H	CH	Weight kg
18	1/8"G	8,5	38	59	64	22	40	13,5	M17x1	16	0,110
14	1/4"G	12,5	49	71	78	27	50	17	M20x1	20	0,200
38	3/8"G	12,5	59	84	93	33	70	19,5	M25x1,5	25	0,375
12	1/2"G	15,5	68	97	107	38	80	21	M30x1,5	30	0,600
34	3/4"G	17	86	120,5	132,5	47	100	26,5	M40x1,5	40	1,250
100	1"G	20	105	151,5	167,5	58	120	35	M50x1,5	50	2,550
114	1 1/4"G	22	120	156,5	172,5	58	120	35	M50x1,5	55	3,000
112	1 1/2"G	24	134	167	181	58	120	35	M55x2	65	4,217
200	2"G	27	150	188	202	108	/	44	M65x2	75	7,300

TECHNICAL DATA

Type	Flow section	Working pressure	Min. burst. pressure	Working temperature	Filtration grade
18	0,12 cm ²	400 bar	1600 bar	-20°/+100°C	25 µm
14	0,19 cm ²	400 bar	1600 bar	-20°/+100°C	25 µm
38	0,39 cm ²	400 bar	1600 bar	-20°/+100°C	25 µm
12	0,68 cm ²	400 bar	1600 bar	-20°/+100°C	25 µm
34	1,13 cm ²	400 bar	1600 bar	-20°/+100°C	25 µm
100	2,09 cm ²	320 bar	1300 bar	-20°/+100°C	25 µm
114	2,09 cm ²	320 bar	1300 bar	-20°/+100°C	25 µm
112	3,14 cm ²	320 bar	1300 bar	-20°/+100°C	25 µm
200	4,91 cm ²	320 bar	1300 bar	-20°/+100°C	25 µm



VALVOLE BIDIREZIONALI IN LINEA TIPO FT257/2

FLOW RATE CURVES

