

IN LINE SINGLE-ACTING CONTROL VALVES TYPE FT257/5

Their function is to control and, if necessary, to shut-off the flow in one direction, allowing a free return flow in the opposite direction. Appreciated for their aesthetic characteristics, they are a reliable solution. The suitable dimensioning has made possible to obtain, in a little space, a great mechanic resistance of the components. The spring in high-resistance material is housed in such a way that it does not close as a pack during the opening of the single-acting conical valve poppet.

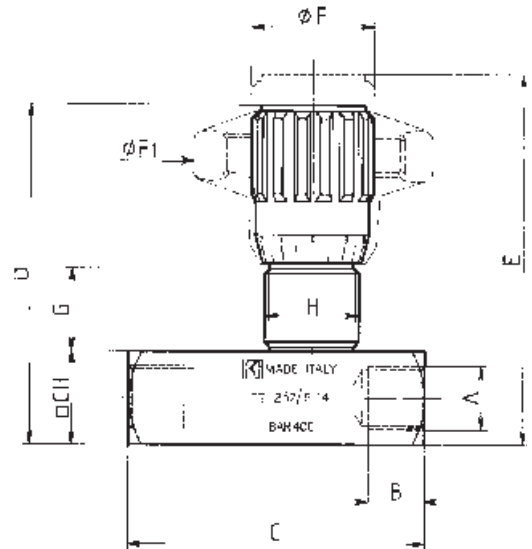
Like all the valves of the series FT 257 they ensure:

- metallic seal;
- flow linearity at the opening;
- accurate control for a wide range of flow rate, thanks to the double reference system
- wide range of the flow rate control;
- impossibility for the needle to leave its seat even in the max. opening position;
- stable positioning thanks to a dowel inside the knob;
- quickness in the assembling of the panel (the ring nuts (G) are supplied on request).

The check valve is calibrated at 0,5 bar.

On request

- Versions AISI 316 code FT 2257/5
- Viton seals (V)
- NPT threads
- Equipped with ring nuts (G)
- Knob in ABS (mp)



EXAMPLE FOR ORDERING

ACCESSORIES ON REQUEST

	Code	Type	Pannel ring nut	Viton Seal	Plastic Knob
Steel	FT 257/5	18	G	V	mp
St. Steel	FT2257/5	34	G	V	mp

MATERIALS STANDARD EXECUTION

Body	9 S Mn Pb 23 - UNI 5105
Needle	1 C 40 - UNI 8373
OR	Nitrile
Antiextrusion ring	PTFE
Check valve	38 Ni Cr Mo 4 - UNI - EN 10083
Spring	C72 - UNI 3545
Threaded found	35 S Mn Pb 10 - UNI 5105
Knob	GD Al Si 12 - UNI 5706
Knob (mp)	ABS

Type	A UNI 338	B	C	D	E	F	F1	G	H	CH	Pressure (work) bar	Temp.re (work) °C	Filtration µm	Weight Kg
18	G1/8"	8,5	50	59	64	22	40	13,5	M17x1	16	400	-20+100	25	0,130
14	G1/4"	12,5	66	71	78	27	50	17	M20x1	20	400	-20+100	25	0,250
38	G3/8"	12,5	79	84	93	33	70	19,5	M25x1,5	25	400	-20+100	25	0,500
12	G1/2"	15,5	94,5	97	107	38	80	21	M30x1,5	30	400	-20+100	25	0,750
34	G3/4"	17	115	120,5	132,5	47	100	26,5	M40x1,5	40	320	-20+100	25	1,600
100	G1"	20	138,5	151,5	167,5	58	120	35	M50x1,5	50	320	-20+100	25	3,050
114	G1"¼	22	157	156,5	172,5	58	120	35	M50x1,5	55	320	-20+100	25	3,750
112	G1"½	24	190	167	181	58	120	35	M55x2	65	320	-20+100	25	5,760
200	G2"	27	228	188	202	85	-	44	M65x2	75	320	-20+100	25	10,000

IN LINE SINGLE-ACTING CONTROL VALVES TYPE FT257/5

FLOW RATE CURVES

