

SINGLE-CONTACT LEVEL SWITCHES TYPE SINGOL S1/S1S

DATA SHEET BRASS TYPE

Standard float switch, one contact type
 Brass stem and connection, Spansil float
 1" thread or flanged process connection
 100 to 500 mm. length (step 50 mm.)
 Max working pressure up to 20 bar
 Max temperature 105°C
 Reed switch SPST or SPDT
 Integrated temperature switch (on request)
 DIN-43650A electrical connection
 Protection class IP65



Rev.01/2019

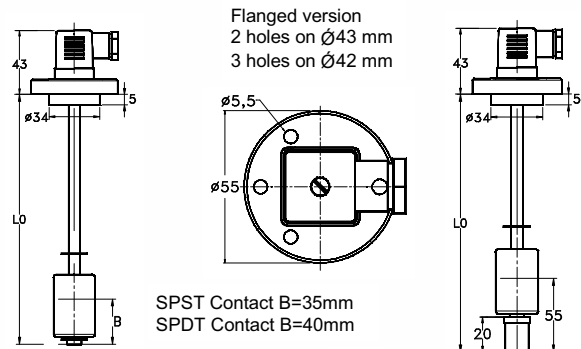
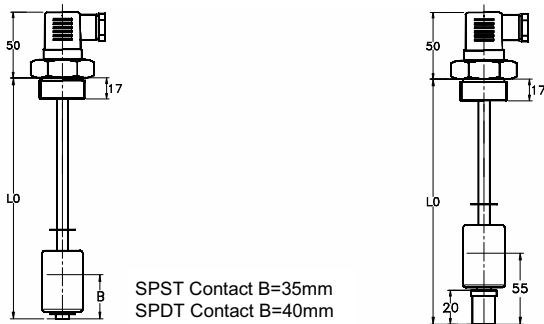
TECHNICAL DATA

Tab.1

Float	Description									Code	
	SPANSIL –Butadiene Acrylonitrile Copolymer closed cells									B45	
Rod length L0 mm	0100	0150	0200	0250	0300	0350	0400	0450	0500	20 Bar	O. L0
Process connection	Threaded		1" UNI 228/1 male thread			SW 40			Brass	25GO	
	Flanged		Double fixing (2 or 3 holes)			Ø 55 mm			Anodized aluminium	25GD	
									PVC	25GV	
									Brass	FOPX	
Electrical contact	SPST	N.C.	N.O.	Overturning the float of 180°			300 VAC	50W	70VA	0,5A	3
	SPDT	Changeover contact			230V	60W	60VA	1A	N.O.	°CT1	
Built-in thermostat °C	30	40	50	60	70	80	90	100	N.O.	°CT2	
On request									N.C.		
Electrical output	DIN 43650 plug						IP 65			S1	
Max. temperature °C	105°C									L	
Sealing gasket	NBR flat gasket anti-oil									1	

DIMENSIONS

Tab.2

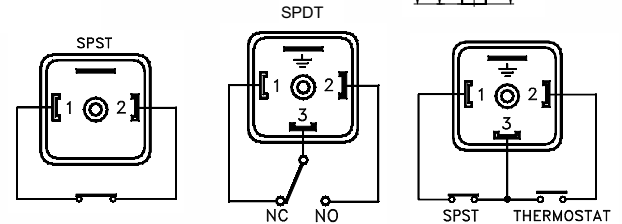


WIRING

Tab.3

With the thermostat option the customer must define the electrical contact condition. The contact and the thermostat are common wired.

I = Independent	C = Common	2 = NC	3 = SPDT
Wiring		Contact status in no level condition	



NOMENCLATURE

S1	B45	3	0500	O	25GO	S1	L	1	I2	60T1	
•											
	•										
		•									
			•								
				•							
					•						
						•					
							•				
								•			
									•		
										•	
											•

Type
Tab.1
Tab.1
Tab.1
Tab.1
Tab.1
Tab.1
Tab.1
Tab.1
Tab.1
Tab.1
Tab.3
Tab.1-3

SINGLE-CONTACT LEVEL SWITCHES TYPE SINGOL S1/S1S

DATA SHEET STAINLESS STEEL TYPE

Standard float switch, one contact type
 Stainless steel stem, connection and float
 1" thread or flanged process connection
 100 to 500 mm. length (step 50 mm.)
 Max working pressure up to 20 bar
 Max temperature 105°C
 Reed switch SPST or SPDT
 Integrated temperature switch (on request)
 DIN-43650A electrical connection
 Protection class IP65



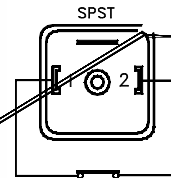
TECHNICAL DATA Tab.1

Float	Description									Codice
	Ø 30 x 32 mm	P.S. 0, 75			30 Bar			S29		
Ø 30 x 32 mm	P.S. 0, 55			10 Bar			S32			
Rod length L0 mm	0100	0150	0200	0250	0300	0350	0400	0450	0500	L0.S
Process connection	Threaded			1" UNI 228/1 male thread			SW 40			25GS
	Flanged			Double fixing (2 or 3 holes)			Ø 55 mm			FSPX
Process connection	SPST	N.C.	N.A.	Overturning the float of 180°	300 VAC 350 VDC	50W	70VA	0,5A 0,7A	3	
	SPDT	Changeover contact			150V	20W	20VA	0,5A	7D	
Electrical output	DIN 43650 plug					IP 65				S1
Max. temperature °C	105°C									L
Sealing gasket	Viton flat gasket									2

DIMENSIONS Tab.2

WIRING Tab.3

I = Independent C = Common 2 = NC 3 = SPDT
 Wiring Contact status in no level condition



NOMENCLATURE

S1	S29	3	0500	S	25GS	S1	L	2	I2	Type
•										Tab.1
	•									Tab.1
		•								Tab.1
			•							Tab.1
				•						Tab.1
					•					Tab.1
						•				Tab.1
							•			Tab.1
								•		Tab.1
									•	Tab.3