

SINGLE-ACTING CARTRIDGE CONTROL VALVES TYPE FT267/5

They control and, in case, shut-off the flow in one direction and allow the full free flow in the opposite direction.

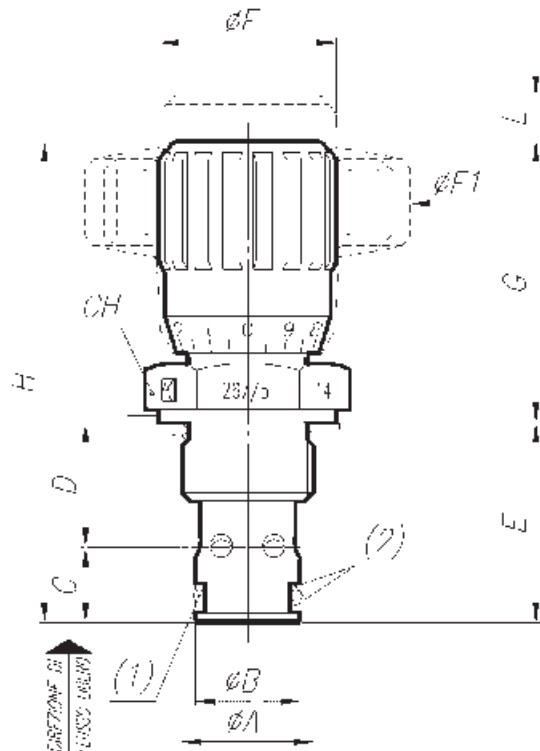
- Check valve calibrated at 0,35 bar

On request

- Version in AISI 316 code FT 2267/5
- Complete with Viton seals (V)
- Knob in ABS (mp)

MATERIALS

Body	9 S Mn Pb 23 - UNI 5105
Needle	38 Ni Cr Mo4 - UNI EN 10083
OR	Nitrile
Antiextrusion rings	PTFE
Check Valve	38 Ni Cr Mo4 - UNI EN 10083
Spring	C72 - UNI 3545
Knob	GD Al Si 12 - UNI 5706
Knob (mp)	ABS



EXAMPLE FOR ORDERING

	Code	Type	Seal	Plastic Knob
Acciaio	FT 267/5	38	Viton	mp
Acciaio inox	FT 2267/5	12	-	mp

DIMENSIONS

Type	ØA UNI 4534	ØB	C	D	E	ØF	ØF1	G	H	L	CH	Weight kg
14	M20x1,5	16	11,5	19	30,5	27	50	43	73,5	4	27	0,130
38	M27x2	19	14	26	40	33	49	52,5	92,5	6	32	0,250
12	M33x2	27	17	27,5	44,5	38	60	60	104,5	7	41	0,340
34	M42x2	35	19,5	33	52,5	47	70	69,5	122	8	50	0,620
100	M52x2	45	22,5	42	64,5	58	120	85	149,5	12	60	1,632

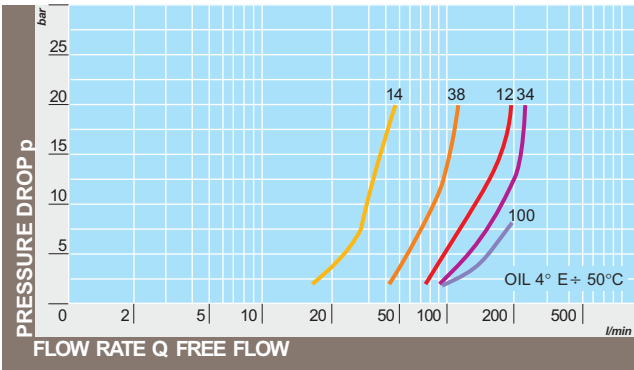
TECHNICAL DATA

Type	Type flow section cm ²	Max working pressure bar	Min. bursting pressure bar	Working temperature °C	Filtration grade absolute µm
14	0,07	320	1300	-20°/+100°	25
38	0,15	320	1300	-20°/+100°	25
12	0,37	320	1300	-20°/+100°	25
34	1,56	320	1300	-20°/+100°	25
100	3,80	320	1300	-20°/+100°	25

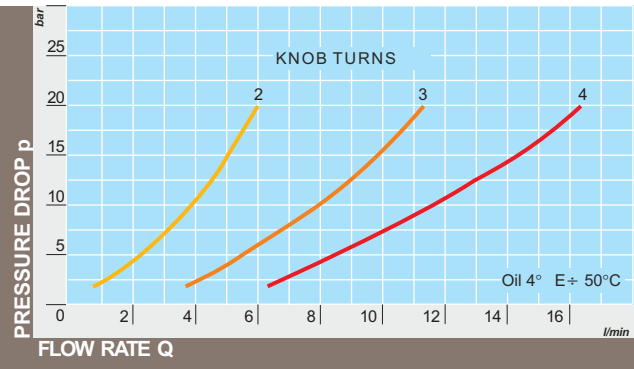
SINGLE-ACTING CARTRIDGE CONTROL VALVES TYPE FT267/5

FLOW RATE CURVES

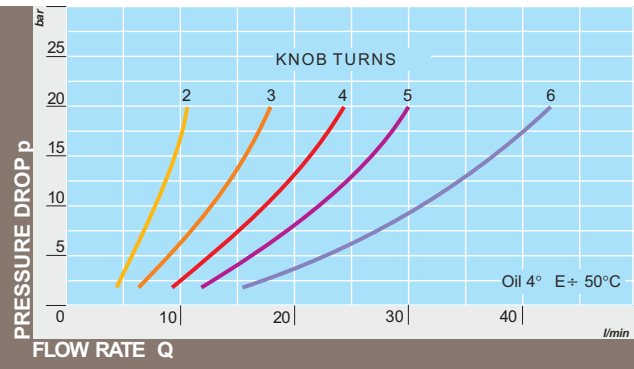
FT 267/5



FT 267/5 - 14



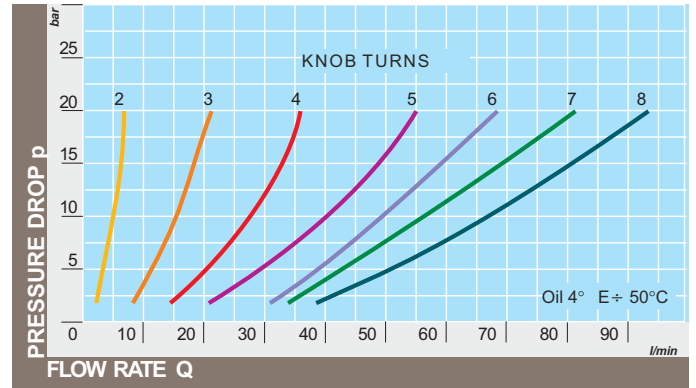
FT 267/5 - 38



FT 267/5 - 12



FT 267/5 - 34



FT 267/5 - 100

