

IN-LINE GAUGE ISOLATOR NEEDLE VALVES TYPE FT290

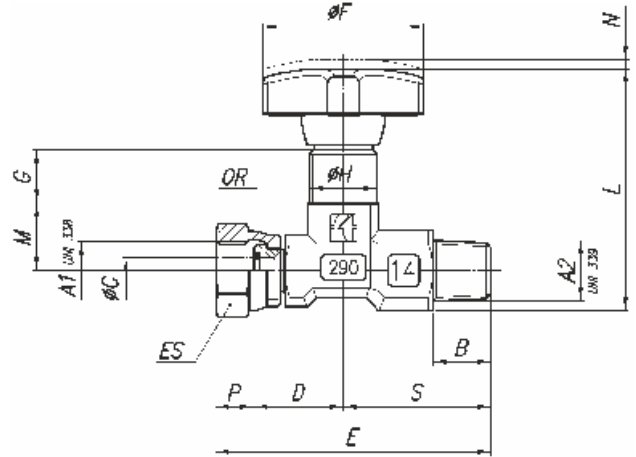
The FT290 isolator needle valves (in line) are normally used to protect the pressure gauge since they have the double function of dampening pressure surge during opening and of isolating the pressure gauge entirely. Pressed in high-resistance steel, protected by an accurate treatment, subjected to strict tests, they ensure reliability and long life. A rotating swivel nut allows for accurate pressure gauge orientation. The sealing, standard supplied, and inserted in the nut, prevents any drawing between the connection and the gauge. For pressure gauge with taper threads, it will be necessary to use copper washers FT 1201 shown on page 182 of this catalogue (to be requested separately). Suitable for pressure up to 400 bar and temperature from -20° to +100° they can be panel mounted by use of lock nut (G), supplied on request.

On request

- Versions with connections female/female (01)
- For rigid pipes (04)
- For flexible pipes (05)
- Seals in Viton (V)
- Complete with lock nut (G). Indicate whether KM or hexagonal
- Version in AISI 316 code FT 2290

MATERIALS STANDARD EXECUTION

Body	9 S Mn Pb 23 - UNI 5105
Needle (Burnished)	35 S Mn Pb 23 - UNI 5105
OR	Nitrile
Antiextrusion ring	PTFE
Handweel	Nylon 66



DIMENSIONS

Type	A1 UNI 338	A2 UNI 339	B	ØC	D	E	ØF	G	H	L	M	N	P	S	OR	ES	Weight kg
14	1/4"G	1/4"Gc	13	5,6	20	61,5	34	12	M15x1	53	15	2	8,5	33	2018	18	0,125
12	1/2"G	1/2"Gc	16	6,5	32	83	40	12,5	M20x1	82,5	19	6	11	40	2021	27	0,413

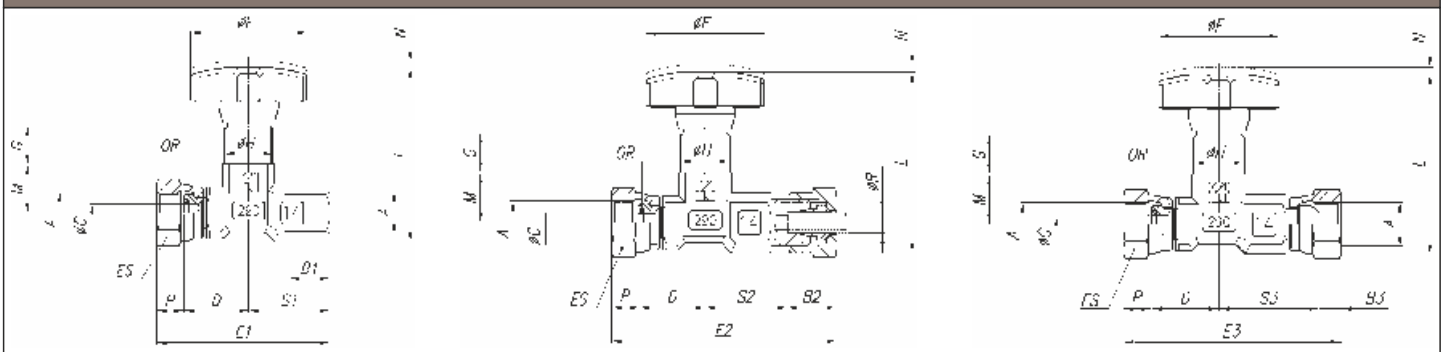
EXAMPLE FOR ORDERING

Code	Type F/F	Connection	Panel lock nut	Viton seal
FT 290	14	01	G	V
FT 290	12	-	G	-

Series FT290-01
Connection female/female

Series FT290-04
Connection for rigid pipes

Series FT290-05
Connection for flexible pipes



DIMENSIONS

	A	B1	B2	B3	ØC	D	E1	E2	E3	ØF	G	H	L	M	N	P	R	S1	S2	S3	OR	ES	Weight kg		
1/4" G	11	15	6,5	5,6	20	54,5	69,5	66	34	12	M15x1	53	15	2	8,5	6	25	25	30	2108	18	01	0,125		
																							04	0,150	
																								05	0,145