

ADJUSTABLE PRESSURE SWITCH TYPE PF243

Max Voltage:	48 V
Current:	0,5 A Resistive - 0,2 Inductive
Certification:	CE
Contact:	SPST-NO (Normally Open) SPST-NC (Normally Closed)
Electrical Connection:	Faston 6,3 x 0,8
Standard Materials:	Zinc Plated Steel Body HNBR Diaphragm/Gasket Switch housing Nylon 6/6 Silver plated contact
Electrical Protection:	IP00 IP54 with CP54 Protection Cap
Mechanical life:	10 ⁶ cycle
Electrical life:	10 ⁵ cycle
Setting:	Internal Screw



Rev.07/2018

ORDERING CODE

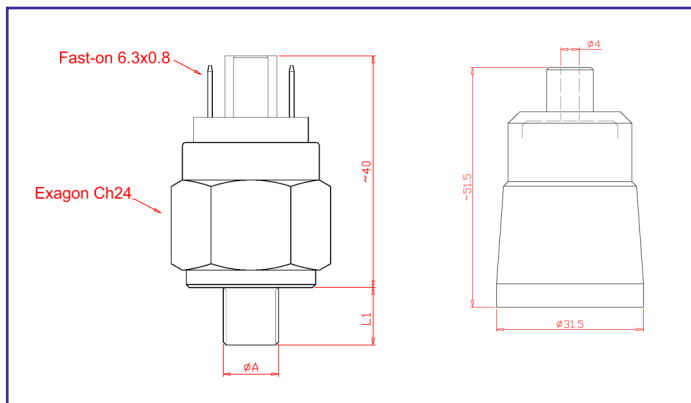
PF243 10 BR V C 14 T5D

TYPE	Faston Pressure Switch SW24
ADJUSTABLE RANGE	1 - 2 - 10 - 20 - 50 - 300
BODY MATERIAL	ZP - BR - SS3 - SS6
MEMBRANE MATERIAL	HN - NB - V - S - E - SS
ELECTRICAL SWITCH	O - C
CONNECTION	18 - 14 - 10K - 18C - 14C
SPECIAL EXECUTION	T - TD - G - SG - ST** - SW

CODE EXPLANATION

TYPE	PF243 Faston Adjustable Pressure switch
RANGE	1 0,1 ÷ 1 bar 2 0,2 ÷ 2 bar 10 1,5 ÷ 10 bar 20 9 ÷ 20 bar 50 15 ÷ 50 bar 300 40 ÷ 300 bar
BODY MATERIAL	ZP Zinc Plated Steel (standard) BR Brass Max Press. 80 bar (Only range 1, 2, 10 bar) SS3 Stainless Steel AISI 303 SS6 Stainless Steel AISI 316
DIAPHRAGM/GASKET MATERIALS/TEMPERATURES	HN HNBR -20 ... +120 °C (standard) NB NBR -20 ... +90 °C V FKM -25 ... +120 °C S Silicone -40 ... +140 °C E EPDM -20 ... + 120 °C SS Inox -30 ... +140 °C (P. Max 80 bar)
ELECTRICAL CONTACT	O SPST Normally Open C SPST Normally Closed
CONNECTIONS Quote A	18 1/8 Gas Taper L1=10 mm 14 1/4 Gas Taper L1=12 mm 10K M10 x 1 Taper L1=10 mm 18C 1/8 Gas Parallel L1=10 mm 14C 1/4 Gas Parallel L1=12 mm
SPECIAL EXECUTIONS	T Rising set point @ indicated value TD Falling set point @ indicated value G Gold plated Contact for low current SG Degreased for oxygen ST** Special threads (NPT, SAE, Metrico etc...) SW Special wiring (Automotive, Integrated/free connector etc...)

Potable water execution with NFS materials certification
(see dedicated technical sheet)



Type	Adjustable Range (bar rel.)	Maximum static pressure bar	Fixed hysteresis @ 25°C (bar)	Set-point tolerance @ 25°C (bar)	Execution
PF243					
1	0,1 ÷ 1	350	± 0,1	± 0,1	Membrane
2	0,2 ÷ 2	350	± 0,15	± 0,2	Membrane
10	1,5 ÷ 10	350	± 0,2	± 0,3	Membrane
20	9 ÷ 20	350	± 0,3	± 0,4	Membrane
50	15 ÷ 50	350	± 0,8	± 1,0	Membrane
300	40 ÷ 300	600	± 20	± 15	Piston