

# DOUBLE-ACTING CARTDRIDGE CONTROL VALVES TYPE FT267/2

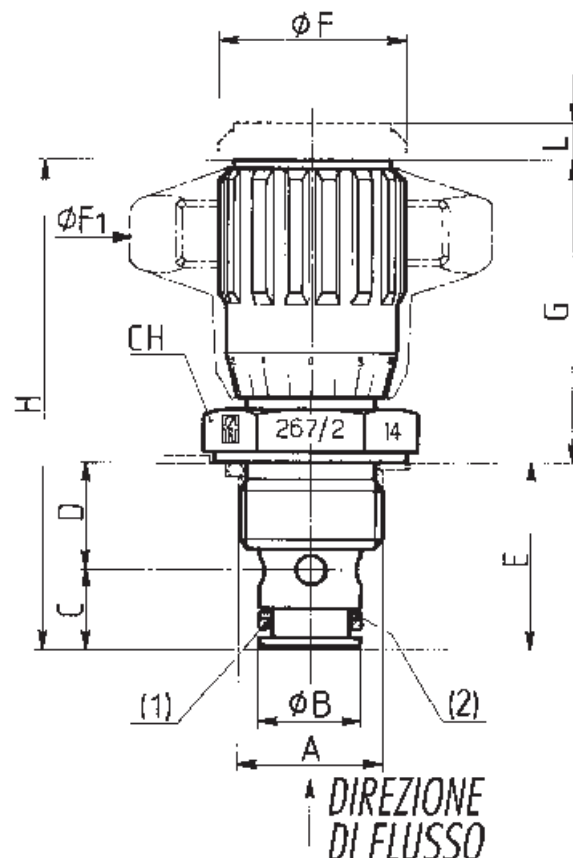
They allow for regulation of flow in both directions.

## On request

- Version AISI 316 Code FT 2267/2
- Complete with Viton seals (V)
- Knob in ABS (mp)ano il flusso in entrambi i sensi.

## MATERIALS

Body	9 S Mn Pb 23 - UNI 5105
Needle	38 Ni Cr Mo4 - UNI EN 10083
OR	Nitrile
Antiextrusion Ring	PTFE
Knob	GD Al Si 12 - UNI 5706
Knob (mp)	ABS



## EXAMPLE FOR ORDERING

	Code	Type	Viton Seal	Plstic Knob
Steel	FT 267/2	38	V	mp
Stainless Steel	FT 2267/2	12	-	mp

## DIMENSIONS

Type	Ø A UNI 4534	Ø B	C	D	E	Ø F	Ø F1	G	H	L	CH	Weight kg
18	M15x1	12	9	11,2	20,5	22	40	43	73,5	5	22	0,064
14	M20x1,5	14	11	15,5	26,5	27	50	43	73,5	7	27	0,125
38	M27x2	16	13	17,5	30,5	33	70	52,5	92,5	9	27	0,180
12	M33x2	19	15,5	24,5	40	38	80	60	104,5	10,5	32	0,305
34	M42x2	27	18	26	44	47	100	69,5	122	13	41	0,580
100	M52x2	35	22	30,5	52,5	58	100	85	149,5	20	50	1,185

## TECHNICAL DATA

Type	Type flow section cm <sup>2</sup>	Max. working pressure bar	Min. bursting pressure bar	Working temperature °C	Filtration grade µm absolute
18	0,12	320	1300	-20°/+100°	25
14	0,19	320	1300	-20°/+100°	25
38	0,39	320	1300	-20°/+100°	25
12	0,68	320	1300	-20°/+100°	25
34	1,13	320	1300	-20°/+100°	25
100	2,09	320	1300	-20°/+100°	25

# DOUBLE-ACTING CARTDRIDGE CONTROL VALVES TYPE FT267/2

## FLOWRATE CURVES

