

# ADJUSTABLE FLOW SWITCHES TYPE MR1

## CHARACTERISTICS

Applications: Gas and fluids (water, oil etc...). Flow ranges changes with viscosity

Max working pressure: 200 bar

Max working temperature: 120 °C

Accuracy: ±5% f.s.

Materials: Body - Nickel plated brass, (GM), S. Steel AISI 316T (GK)

Piston - Brass (GM), S. Steel AISI 316 (GK)

Spring - S. Steel AISI 316

Magnet - Ferrite (GM), Ferrite PTFE coated (GK)

Switch head - Polycarbonate

Contacts: Adjustable SPDT

Protection: IP65 with PG9 DIN43650

Max Voltage: 220/50 V/Hz

Mounting position: free



## ORDERING CODE

MR1KV 008 GM 004 IP65 0213

•						Type
	•					Tab.1 Range
		•				Tab.2 Materiale
			•			Tab.1 Dimensions and connections thread
				•		Tab.3 Protection
					•	Tab.4 Wiring

## TECHNICAL DATA - Tab.1

MODEL	DN	P max bar	T max °C	Adjustable flow range lt/min H <sub>2</sub> O			Q max lt/min	Δ P Qmax bar	Code Adjustable range	
MR1KV-008	1/4"	200	120	0,4 - 4			10	0,5	0,4 - 4	004
MR1KV-010	3/8"	200	120	0,4 - 4		1 - 10	20	0,5	1 - 10	010
MR1KV-015	1/2"	200	120	1 - 10	2 - 20	3 - 30	40	0,5	2 - 20	020
MR1KV-020	3/4"	200	120	3 - 30		4 - 40	60	0,5	3 - 30	030
MR1KV-025	1"	200	120	4 - 40		6 - 60	80	0,5	4 - 40	040
Thread	DN	UNI 228/1							6 - 60	060
Accuracy	± 5% F.S.									
Isteresys	10% - minimum 0,5 lt/min									

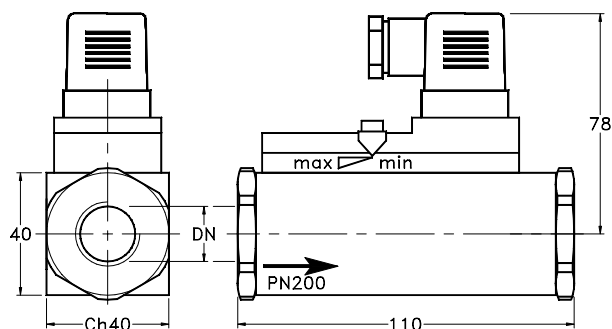
## MATERIALS - Tab. 2

Description	Code	
	GM	GK
Body	Nickel plated brass	S. Steel 1.4571
Piston	Brass	S. Steel 1.4404
Spring	S. Steel 1.4310	S. Steel 1.4310
Magnet	Ferrite	Ferrite PTFE coat.
Switch head	Polycarbonate	Polycarbonate

## ELECTRICAL DATA - Tab. 3

Description	Characteristics					
Contact	REED	SPDT	250 VCA	1,5 A	50 VA	
Electrical entry	Connettore		DIN 43650A			
Protection	IP65					
<b>Options</b>						
Diode	LED	Red colour integrated into DIN plug				
Supply	VCA	230	110	48	24	12 To specify

## DIMENSIONS



## WIRING

