

PH TRANSMITTER TYPE 8202



Accepts all standard pH probes

- Removable programming puck
- Data upload/download via puck
- With temperature compensation
- Diagnostic function

Please add fitting from next page



pH transmitter with programmable outputs. pH and temperature output via single or dual analog 4-20 mA. Two transistor outputs are also included. Transmitters are engineered for a wide scope of measuring ranges and can be delivered in 2-wire or 3-wire configurations. Intelligent, integrated, beautiful design fits perfectly with an assortment of easily configured fittings.

Technical Data

Measuring range	-2 ... 16pH	
Measuring error	± 0.02pH	
Temperature compensation	Automatic via integrated temperature sensor Pt. 1000	
Temperature performance (via integrated Pt1000)	Measuring range	-40 °C - +130 °C
	Measuring error	± 1 °C
Available fitting materials	Stainless, PP, PVC	
Housing material	Stainless steel, PPS, PC	
Insertion finger	PVDF	
Gasket seal	EPDM	
Max. fluid temperature	-20 °C - +130 °C (depending on fitting & pH probe)	
Max. fluid pressure	0-16 bar	
Ambient temperature	-10 °C – +60 °C	
Storage temperature	-10 °C – +60 °C (without probe)	
Ingress protection	IP65, IP67	
Voltage supply	14...36 V DC for 2-wire models	
	12...36 V DC for 3-wire models	
Electrical protection	Reversed polarity of DC and peak protected	
Current consumption max.	1 A max. (with transistor load)	
Electrical connections	1 x 5-pin M12 male (2-wire)	
	1 x 5-pin M12 male + 1 x 5-pin M12 female (3-wire)	
Outputs	4-20 mA configurable temperature or pH	
	2 Transistors, configurable, open collector, 700 mA max., 0.5 A max. per transistor if the 2 transistor output are wired	
Output load	1100 Ω at 36 V	
	610 Ω at 24 V	
	180 Ω at 14 V	

Options

- Blind version (Neutrino)
- ORP: see datasheet 8202

Envelope Dimensions [mm] see datasheet for details

Complete pH transmitter consists of a pH Transmitter (Type 8202) a pH probe (Type 8203) a detachable display / control unit and an adapter (Type S022).

A	B	C
111	75	338

Ordering Chart

Transmitter				
Wiring	Outputs	Nut	M12	Item no.
2-wire	2 x transistors + 1 x 4-20 mA	PVC	5-pin male	559 630
2-wire	2 x transistors + 1 x 4-20 mA	PVDF	5-pin male	559 632
3-wire	2 x transistors + 2 x 4-20 mA	PVC	5-pin male + female	559 631
3-wire	2 x transistors + 2 x 4-20 mA	PVDF	5-pin male + female	559 633

Probe Type 8203 (many more available from stock for other applications)	Item no.
pH electrode 0... 130 °C, 0... 16 bar,	560 376
pH 0... 14 - UNITRODE PLUS pH 120mm	
pH electrode 0... 80 °C, 0... 6 bar,	561 025
pH 0... 14 - FLATRODE pH 120mm	

Accessories	Item no.
Display/programming module	559 168
Electrical connector, 5-pin M12 male, plug only	560 946
Electrical connector, 5-pin M12 male, 2m prewired	559 177
Electrical connector, 5-pin M12 female, plug only	917 116
Electrical connector, 5-pin M12 female, 2m prewired	438 680

PH TRANSMITTER TYPE 8202



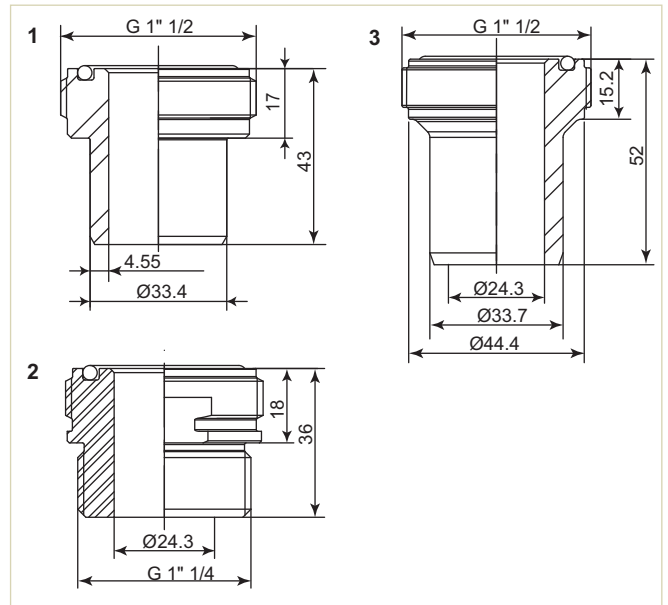
Dn32 - 110 mm adapters for pipe and tank mount fittings

- Simple installation guaranteed
- Range of chemically compatible materials
- Modular concept for pH, ORP and conductivity

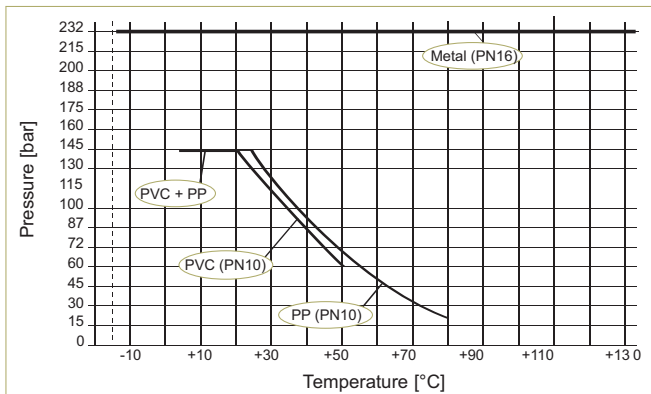


Fittings to connect the compact analytical transmitters to the media. Materials included are PVC-U, PP, Stainless steel, and PVC thread. For chemical resistance details please download our chemical resistance booklet from our website www.burkert.com

Envelope Dimensions [mm] see data sheet for details



Pressure / temperature chart



Note: Always take lowest max. medium temp. of both adapter and chosen ELEMENT transmitter.

Adaptation overview

Adaptor S022	Piping systems	DN	Description	Materials Body / Seal	Type of Installation	Item no.
1 PVC-U, PP metric or solvent adapter		32 up to 110 (06 up to 25 with reduction)	Solvent adaptor with G 1 1/2" external threaded for ELEMENT transmitter connection	PVC-U / FKM, EPDM	Solvent weld on d32x32 and d40x32 Tee fitting	560 705
2 Stainless steel**		Respect recommendations of installation	Welding adaptor with G 1 1/2" external threaded for ELEMENT transmitter connection	Stainless steel / FKM, EPDM	To weld directly on pipe	561 232
3 PVC-U, G or G 1 1/4" screw-on		Respect recommendations of installation	G 1 1/4" screw-on adaptor with G 1 1/2" external threaded for ELEMENT transmitter connection	PVC-U / FKM, EPDM	To screw on tank or pipe	560 707

** Please ask for Material Test Reports (MTRs) at time of ordering if required.